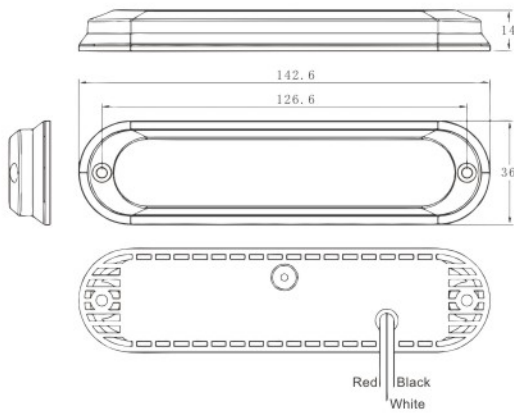
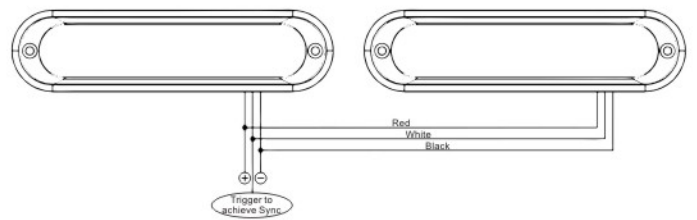


# LED LIGHT LTE1835

- Can be installed in anywhere of vehicle with its ultra thin design.
- Come with sleek outline design and output high brightness.
- 6pcs of 3W LED with 12 flash patterns.
- IP67 waterproof standard.
- Optional color with amber,blue,white and red.
- Support synchronous and asynchronous flashing.



## Connection diagram:



## Technical Specifications :

Dimension	L*W*H: 142.6mm×36mm×14mm
LED light source	6pcs of 3W LED
Weight	126.6mm
Voltage	DC10-30V
Working current	≤1.3A
Color	amber,blue,white and red
Flash patterns	12 flash patterns