



**Senken Group Co.,Ltd.**

Add:160,West Yuele Street,Wenzhou China 325029  
Tel:+86-577-88090011,88090022,88098255  
Fax:+86-577-88098159  
Email:export@senken.com.cn



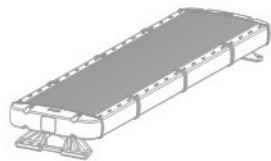
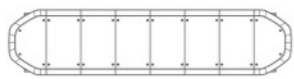
# SECURITY&SIGNAL EQUIPMENT ENGINEER

Edition  
2020.6





Security&signal  
Equipment  
Engineer



# COMPANY PROFILE

Senken was Founded in 1990, the largest Chinese manufacturer of special vehicle signal lights and alarm equipment, specializes in researching, developing, producing and selling police appliances, safety engineering appliances, special lighting equipment urban air defense warning equipment and various protective safety equipment. Senken has a total registered capital of RMB 111 million with more than 1000 employees.

Senken is an enterprise with certificate ISO9001 and ISO140000. And majority of our products for export were certified to CE, E-MARK, UL, etc.

Innovation has always been the main object for Senken's development in the past two decades. Senken has various professional technicians in its R&D center, makes deep study in product industrial design, mechanical research, electronics, acoustics, optics and technological design ect. At present, Senken has successfully developed more than 100 series, over 1000 varieties of products, and has been granted more than 100 patents. Now Senken has been honored to be one of Top 100 Enterprises in China.

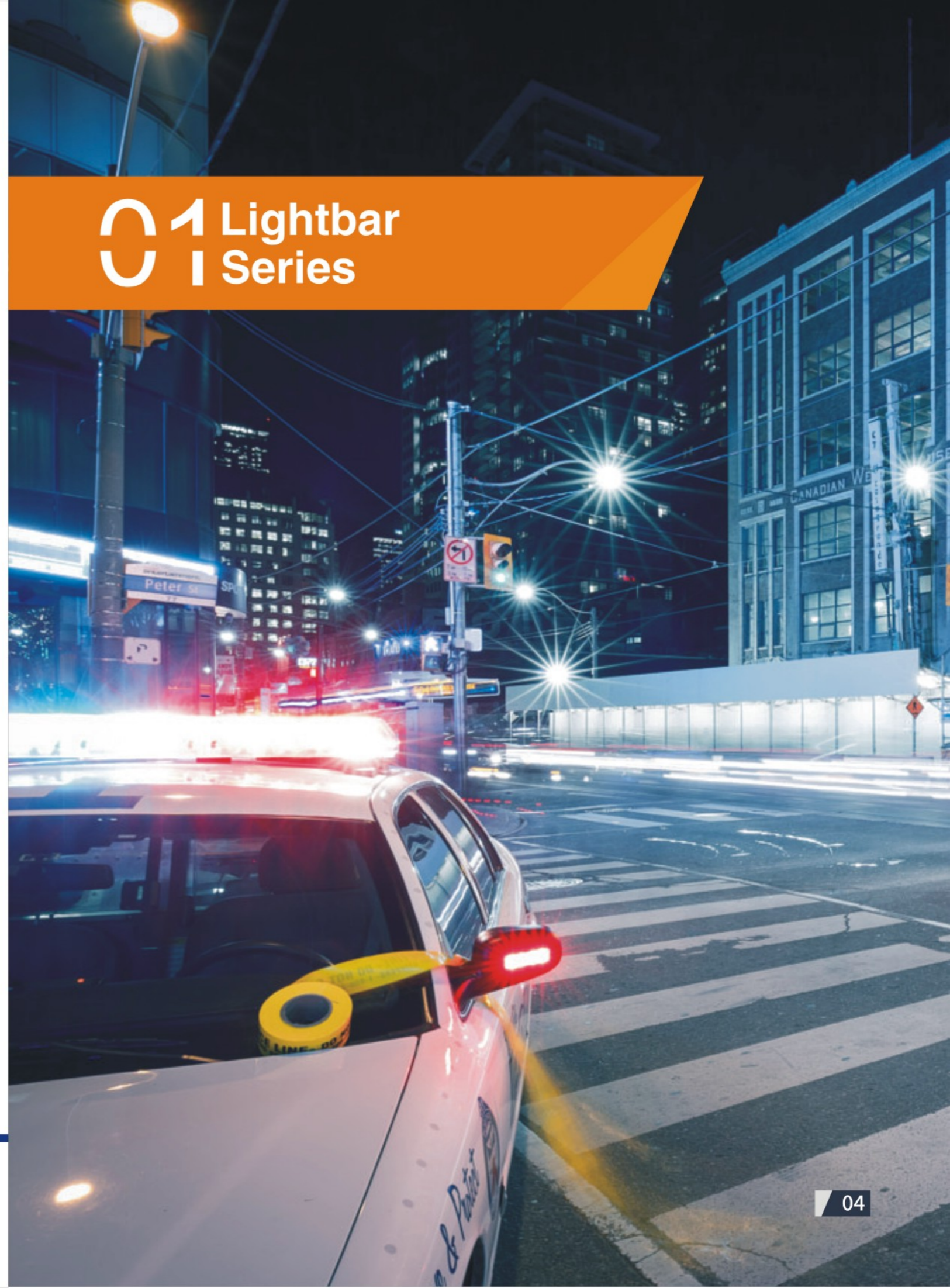
Senken products have been widely applied in public security systems and law enforcement equipment systems for the departments of police, fire rescue, civil defense and etc., With the marketing networks spreading all over the country, as well as 23 sales office and 16 overseas service agencies established, it is now a leading enterprise group in China police equipment industry. The company has been successively awarded as the first brand in China special vehicle signal lights and vehicle alarms industry. Furthermore, Senken has established close partnership with customers from Europe, United States, South of America, South East Asia, Middle East and other countries to actively expand the overseas market and is continuously growing on the basis of OEM and ODM markets. It has become the largest production base of police products in Southeast Asia. Senken brand is fully displaying itself on the international arena.





- 01 Lightbar Series
- 02 Electronic Siren & Loudspeaker Series
- 03 Police Motorcycle Equipment
- 04 Beacons Series
- 05 Interior & Exterior Lights Series
- 06 Illumination Systems

01 Lightbar Series





## Spiral TBD-A3 Lightbar



### Features:

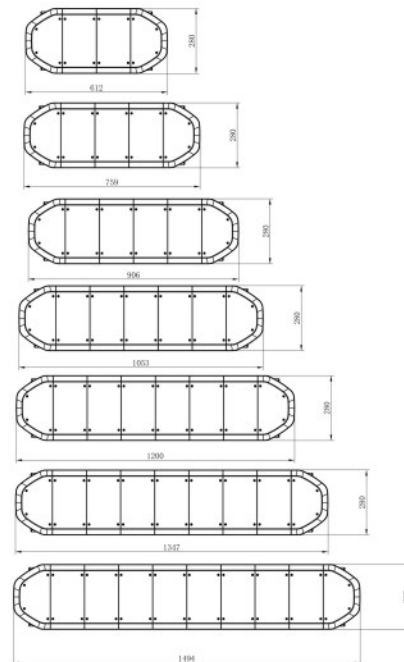
- High transparent UV proof polycarbonate lens cover.
- The modular integrated configuration maximizes the waterproof, vibration-proof and stability of the lightbar.
- Specially designed super thin profile but no distortion concern.
- Super large area aluminum housing enhances the LED module heat dissipation
- Different length configurations could be customized.
- Widely applied for offroad or other emergency vehicles.
- Compliant with ECE R65 and SAE standard.



E9



### Legend:



Model	TBD-A35124	TBD-A35144	TBD-A35154	TBD-A35184
Working Voltage	DC10-30V			
LED Power	74pcs*3W	82pcs*3W	90*3W	106*3W
Communication Way	RS485			
Color	Red, Amber, Blue, White			
Flashing Pattern	35(types)			
Standard	GB13954, R65, SAE			
Working Temperature	-40°C~75°C			
Weight	14KG			

## Sparkler TBD-A2 Lightbar



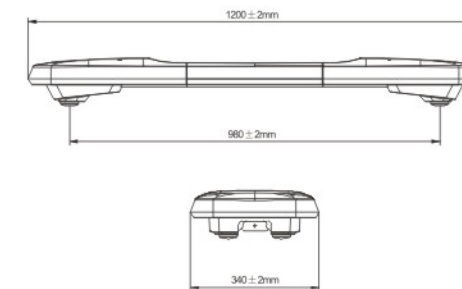
### Features:

- Unique design and beautiful appearance.
- High intensity 3W each LEDs for light source.
- Flash pattern could be customized.
- Waterproof capability IP65.



E9

### Legend:



Voltage	DC12V or DC24V
LED Power	108*3W
LENS material	Poly carbonate
Color	red/blue/white/amber
Flash pattern	39 patterns
Mounting	Gutter mounting
Size	120(L)×34(W)×12.8 (H)cm (48" L×11.8" W×5" H)
Standard	ECER65 & SAE
Weight	14KG





## BLAZER-TBD705122



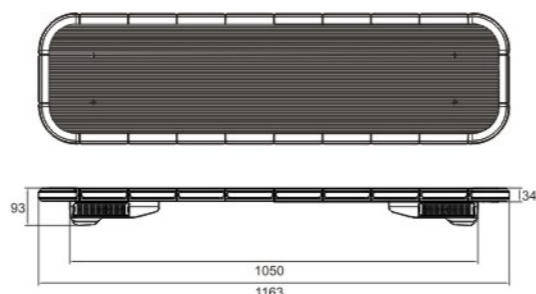
E9 SAE

### Features:

- It's special design, appearance and performance all perfectly fulfill the needs of the high end requirements of the emergency lightbar.
- Solid design and heavy usage of aluminum alloy make the lightbar suitable for different police cars, fire trucks and ambulances. Reduce thickness to the maximum extent with 33mm which is the thinnest lightbar in the market.
- Meets all regulatory requirements including ECE R65 and SAE class1. Waterproof and dust proof level reached IP67, ready for any situation.
- Multiple flash patterns provide you with more choices, and the optional magnet mounting avoid drilling holes in the roof of your beloved vehicle.
- Gen 3 LED Integrated, maximum power can reach 300Watt, that guarantee the high luminosity.



### Legend:



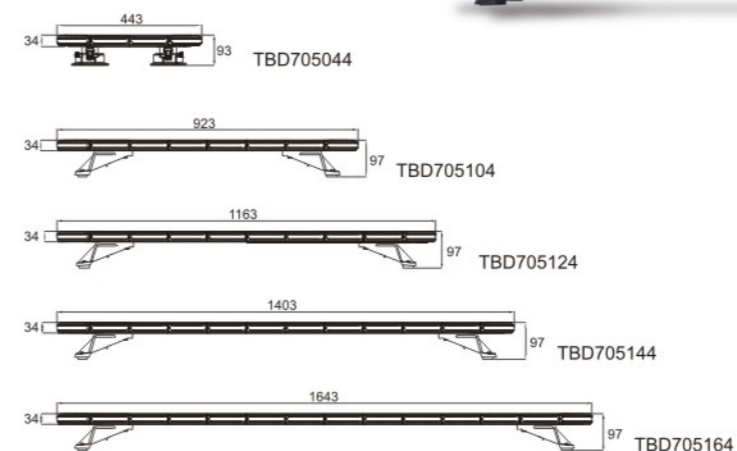
LED Light Source	GEN III 3W LED
LED Number	132PCS
Working Voltage	DC12V/DC24V
Max Power	300W
Color Options	RED/AMBER/WHITE/BLUE
Shield Color	Sliver
Working Temperature	-40℃~+70℃
Mounting	Permanent/Magnetic
Flash patterns	45types

## BLAZER-TBD705 Series

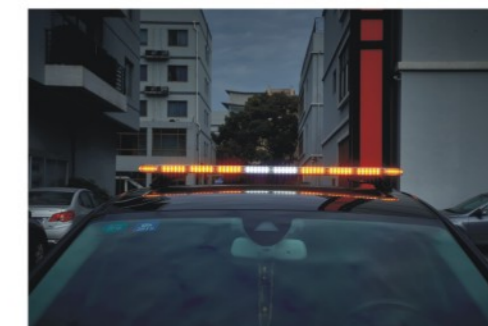
### Features:

- It's special design. The appearance and performance are all perfectly fulfill the needs of the high end requirements of the emergency lightbar. Suitable for both European and American markets.
- Safe and well-matched with other vehicles. Multiple modules available. (Take down, brake, turning light and traffic director module etc).
- Solid design and heavy usage of aluminum alloy make the lightbar suitable for different type of police cars, fire trucks and ambulances. Reduce thickness to the maximum extent with 33mm which is the thinnest lightbar in the market.
- Meets all regulatory requirements including ECE R65 and SAE class1. IP67 waterproof. Ready to whatever it might face in the future.

### Legend:



E9 SAE



Model	TBD705043/4	TBD705103/4	TBD705123/4	TBD705143/4	TBD705163/4	TBD705101/2	TBD705121/2	TBD705141/2	TBD705161/2
Working Voltage	DC12/DC24								
LED Power	60*3W	108*3W	132*3W	156*3W	180*3W	108*3W	132*3W	156*3W	180*3W
Communication Way	RS485								
Color	Red, Amber, Blue, White								
Flashing Pattern	30(types)		45(types)						
Standard	GB13954, R65, SAE								
Speaker	None			50W*2					
Tone	None			Horn/siren/wail/hilo					
Working Temperature	-40℃~75℃								
Weight	18KG(TBD705121)								



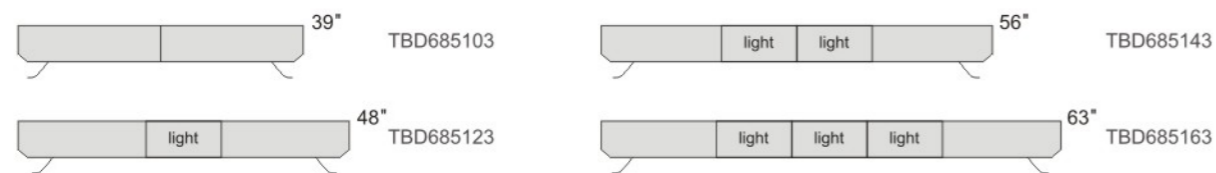
## TBD680000 Series Lightbar

### Features:

- Super low profile design.
- Using high power GEN III 3W LED as light source.
- Total 35 flash patterns including arrow directional flash patterns for traffic signal.
- Polycarbonate cover selectable for red, blue, clear or amber.
- Two kinds of brackets are available
- There are four sizes available: 39",48",56",63".
- SAE and ECER65 Approval



### Legend:



Model	L(mm)	W(mm)	H(mm)	Dual voltage	Matched siren options	Speaker built-in	Weight
TBD685103	1000	338	121±2	DC12V	80W,100W	NO	11KG
TBD685123	1200						
TBD685143	1400						
TBD685163	1600						



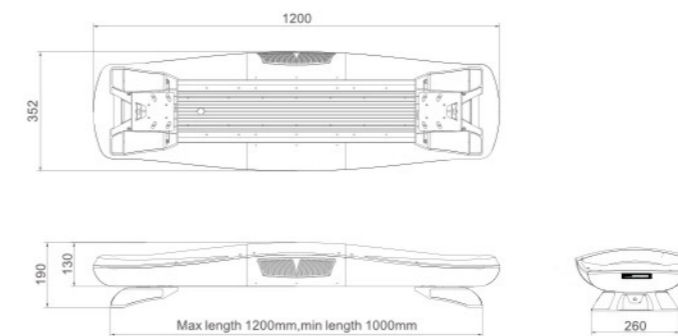
## TBD580000 Series Lightbar

### Features:

- Beautiful appearance, unique shape and low profile design completely solve the vehicle noise and wind resistance at high speed.
- High brightness, energy saving. Applying high power LED as light source. Long service life and low consumption. High reliability.
- It has high efficiency and good warning effect.
- With surface processing coat, lens is scuffing-resistant, shock resistant, corrosion resistant and high transparent.



### Legend:



Specification	TBD585121
Length	1.2M
LED Power	64Pcs*3W
Main light source	16 LED modules
Working voltage	DC12V/24V
Warning light power	120W
Controller	Light control or matching siren
Color	Red, amber, blue, white
Net Weight	14kg
Matching Speaker	100W, 150W



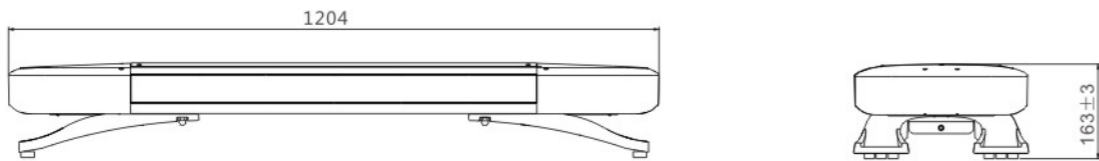
## TBD550000 Series Lightbar

### Features:

- Multi-functional warning light intergrated LED warning modules,LED screen displays and alert functions.
- Light sources with high power LEDs(Alternate light sources:GEN1 LEDs)
- Built-in speaker can be 80W,100W or 150W.
- Waterproof level :IP65
- The extrusion adopts the DIN connection,easy to mount and maintain.
- 27 flash patterns.



### Legend:



Model	L (mm)	W (mm)	H (mm)	Working voltage	Color Options	Speaker in the middle	Working current	Operating temperature range
TBD55121/2	1204	320	163±3	DC9-16V	Red,Blue,Amber,White	80W,100W,150W	≤10A	-40℃ to +70℃
TBD55123/4	1204	320	163±3	DC9-16V	Red,Blue,Amber,White	Not applicable	≤10A	-40℃ to +70℃



## TBD330000 Series Lightbar

### Features:

- Generation III LED light heads with extreme high brightness;
- Unique self-contained reflectors with excellent light condensation at wide effective view angles;
- Waterproof individual LED lighthead(IP67 compliant)with standard mounting,reliable and easy for maintenance;
- Low profile aluminum body with compact structure and excellent heat dissipation;
- 13 regular flash patterns and 4 traffic advisor patterns are selectable by different wirings at the terminal blocks;
- Colors are optional within red, blue, amber and white;
- Different lengths customizable

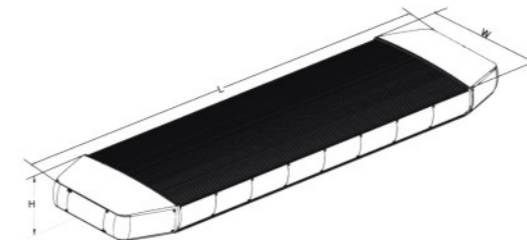
### TBD335121



### TBD335074



### Legend:



Model	L(mm)	W(mm)	H(mm)	Working voltage	Speaker in the middle	Color Options	Working current	Major light sources		
								Led	Strobe	Halogen
TBD335121	1200	310	155	DC12V	Applicable	Red,Blue,Amber,White	10A (Max)	22		
TBD335074	745	305	145	DC12V	Applicable	Red,Blue,Amber,White	6.5A (Max)	14		



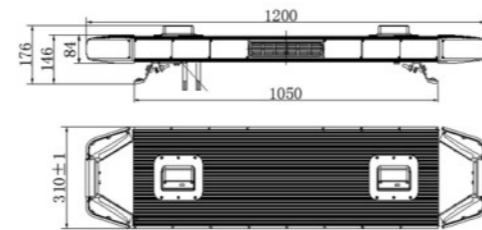
## TBD330000 Laser Lightbar



### Features:

- With high power green laser beam.
- Built in gyroscope, auto off function when uprising. (angle adjustable).
- Efficient heat dissipation system, super strong aluminum alloy profile improve the strength of the police light.
- Laser light source has strong warning effect (more than 2km), long lifespan and stable practicability.

### Legend:



Voltage	DC12V
Current	≤20A
Speaker power	100W
Laser Light Power	3W
Flash pattern	13types
Flash rate	30Hz/min
Net weight	15KG
Dimension	120 ( L ) *31 ( W ) *18 ( H ) CM



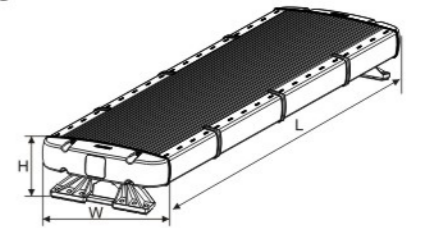
## TBD290000H Series Lightbar



### Features:

- Low profile aluminum extrusion structure gives the lightbar a light weight as well as high intensity;
- The excellent vibration resistance, low wind obstruction and high anti-impact performance enables a smooth passing through of the vehicle in complicated driving conditions;
- Flash pattern can be customized based on different warning demands;
- There are choices for this lightbar with built in speaker or without speaker;
- With newest led technology and optical system, 360 degree visibility is available by applying fresnel lenses all round the lightbar;
- Excellent repairable structure, the individual light head can be replaced without taking apart whole body which will significantly save the maintenance cost;
- Customizable lightbar size could be realized by adding/cutting standard sections of 20cm each .
- Optional color for LED or lens covers from red, blue, amber or clear;

### Legend:



Model	L (mm)	W (mm)	H (mm)	Net weight	Working voltage	Power	Controller	Matched siren options	Speaker in the middle	Color Options	Major light sources		
											Led	Strobe	Halogen
TBD295074H	700			7.2KG		80W				Red,Blue,Amber	14		
TBD295103H	1000			11KG		100W			Not applicable	Red,Blue,Amber	16		
TBD295104H	1000			11KG		100W				Red,Blue,Amber	16		
TBD295121H	1200	309	137	15.5KG	DC12V	130W	DKQ-H01	100W		Red,Blue,Amber	24		
TBD295122H	1200			15.5KG		130W			100W	Red,Blue,Amber	24		
TBD295123H	1200			12KG		140W				Red,Blue,Amber	26		
TBD295124H	1200			12KG		140W			Not applicable	Red,Blue,Amber	26		



## TBD300000 Series Lightbar

### Features:

- Using high power GEN III 3W LED as light source.
- Reflector-optics-system technology increases the light output efficiency.
- Color of LED or lens can be red, blue, amber or clear.  
11 Flash patterns are available.
- The lightbar styles for speaker built in or without are available.
- Sealing performance is in accordance with Ip65.
- Certificated by ECER65.
- There are four sizes available: 39",48",56",63".



### Legend:



Model	L(mm)	W(mm)	H(mm)	Dual voltage	Controller	Matched siren options	Speaker builtin
TBD305103	1000	338	163	DC12V	SCB305	180W,100W	NO
TBD305123	1200						NO
TBD305121	1200						YES
TBD305143	1400						NO
TBD315141	1400						YES
TBD305163	1600						NO
TBD305161	1600						YES

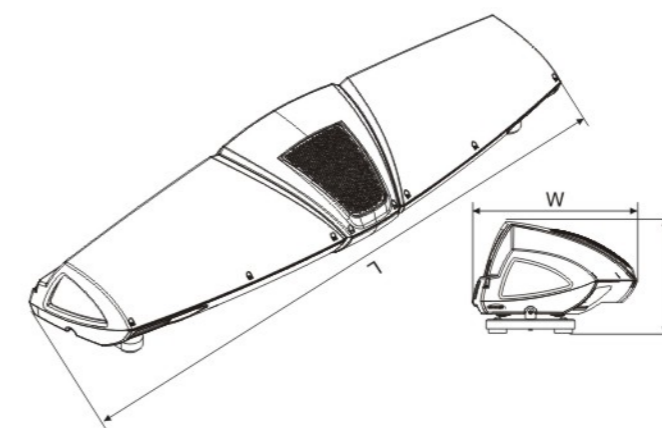
## TBD180000 Series Lightbar

### Features:

- Newest design following the trends and concepts of modern automobile variations, composition of aerodynamic aesthetics elements.
- Double layer design, xenon strobe or LED modules are optional for upper layer built, and 2 small LED modules for lower layer contribution, 2 halogens lights built at both end sides for alley light purpose;
- Matched with single or double speakers of different configurations, delivering enhanced warning effect from the siren. Wider power options with a high quality audible performance;
- Upper lens cover are polycarbonate with excellent transparency;
- Red, blue, amber or clear are available for lens color choices.
- With suitable bracket and hook for the installation purpose, no need to drill holes on vehicle roof.
- Length options are 1200mm and 1600mm



### Legend:



Model	L (mm)	W (mm)	H (mm)	Net weight	Working voltage	Power	Controller	Matched siren options	Speaker in the middle	Color Options	Major light sources		
											Led	Strobe	Halogen
TBD185121	1200	352	248	21KG	DC12V/DC24V	60W	DKQ-A03	80W,100W, 150W,200W	80W,100W,150W,200W	Red,Blue,Amber	16		



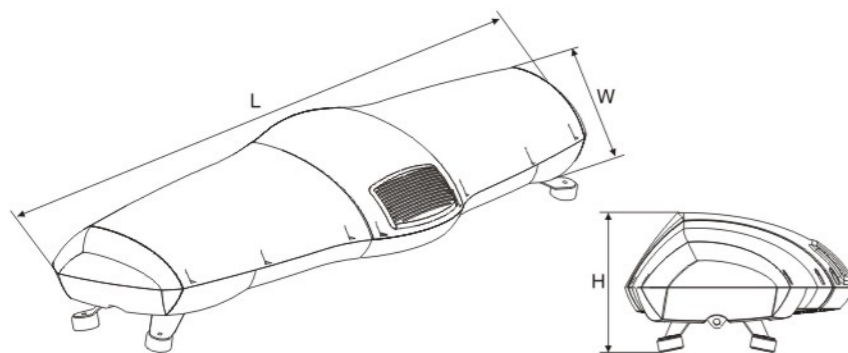
## TBD260000 Series Lightbar



### Features:

- ◎ The most scientific and fashion design is suitable for various modern vehicles;
- ◎ Double layer design, xenon strobe or LED modules are optional for upper layer built, and small LED modules for lower layer contribution, 2 halogens lights built at both end sides for alley light purpose;
- ◎ Built in speaker 80Watts or 100Watts are available for the installation in the middle of lightbar;
- ◎ Both upper and lower lens cover are polycarbonate with excellent transparency;
- ◎ Red, blue, amber or clear available for lens color choices.
- ◎ With suitable bracket and hook for the installation purpose, no need to drill holes on vehicle roof.

### Legend:



Model	L (mm)	W (mm)	H (mm)	Net weight	Working voltage	Power	Controller	Matched siren options	Speaker in the middle	Color Options	Major light sources		
											Led	Strobe	Halogen
TBD265121	1200	416	253	13.6KG	DC12V/DC24V	60W	DKQ-A03	80W,100W, 150W,200W	80W,100W,150W,200W	Red,Blue,Amber	16		2

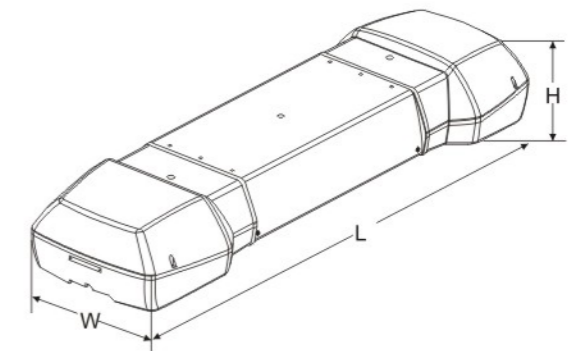
## TBD150000XP Series Lightbar

### Features:

- ◎ Unique LED screen and lightbar consolidated with multi-functions.
- ◎ Message on LED screen can be programmed by computer, cell phone or remote controller.
- ◎ Come with special SIM card for cell phone which can configure screen message by SMS.
- ◎ Streamline appearance with one-screen and two-screen options.
- ◎ Optional light sources Generation III LED and Ø5 LED.



### Legend:



Model	L (mm)	W (mm)	H (mm)	Net weight	Working voltage	Working current	Color Option (for lightbar)	Light sources (for lightbar)	Remarks
TBD155123XP-W	1200	383	218	13KG	DC12V	≤5A	Red,Blue,Amber,Clear	10Pcs Φ5 Strip LED	Wireless Double Screen
TBD155123XP-A-W	1200	383	218	13KG	DC12V	≤5.5A	Red,Blue,Amber,Clear	14Pcs Φ5 Strip LED	Wireless Single Screen
TBD155123XP-A-Y	1200	383	218	13KG	DC12V	≤5.5A	Red,Blue,Amber,Clear	14Pcs Φ5 Strip LED	Wired Single Screen
TBD155123XP-Y	1200	383	218	13KG	DC12V	≤5A	Red,Blue,Amber,Clear	10Pcs Φ5 Strip LED	Wired Double Screen



## LED Display Warning System CXP04D3

### Features:

- 96X32 pixel super high brightness of LED widescreen ,can display at most 12 words each row.
- Display lines can be single or double according to information content
- 8 seconds quick launch for unfolding display screen.
- 4 grades adjustable LED lightness output,visual distance can reach 150 meters.
- 22 pieces LED module plus high quality PC lense consist all-angles warning light.
- Extraordinary anti-vibrate performance of compact structure.
- Outstanding sealing technology for work in severe weather
- User-friendly ICD control kit for adjustment of graphs or warning words or brightness
- We offer computer software for your convenience in control kit content editing



Visible zone	960mm×480mm
LED Pixel Point	96 Point × 32 Point
LED	Φ 5mm LED
Visible angle	Level 120 degree/Vertical 90degree
Luminous intensity	Single barrel1500mcd
Power	≈100W
Working Voltage	DC10.8V-DC13.8V
Working Current	≈8A
Work Environment Temperature	-40 °C ~ +50°C
Weight	32KG

## LED Display CXPO6G

### Features:

- Strobe pulse light sets in front of the system, actualizing the integration of display body and display lamp,each sets be controlled separately
- Controller includes a large LCD display screen that has background light which can be operated by the user to make inquiry, set mode and edit display information; the operation process can also be done
- Adopting the arc structure to reduce the wind resistance.



Working Voltage	DC12V
Screen current	2.5A
Display Viewing angle	>120degree
Visual distance	>150M
Net weight	22kg
Current of front lamps	4.5A
Current of side lamps	8.5A

## 02 Electronic Siren & Loudspeaker Series





## GF-SK02 Siren & YD-100-23 Speaker



- Strong penetrating power: Infrasound waves produce a "low-frequency tremor" that causes the body to feel vibrations.
- High-quality power devices: adopt digital power amplifier as alarm power amplifier to ensure continuous output of sound effects.
- Humanized setting: the alarm trigger working time is set to 8, and the low-frequency output of 8s-60s is achieved through setting.
- Exquisite appearance: shell material from PA alloy injection molding.
- Multi-function selection: can be set to choose the independent output of low frequency alarm and high frequency alarm linkage work.

Model	GF-SK02 YD-100-23
Working voltage	DC12V/DC24V
Standby current	≤5mA
No-load current	≤12mA
Power amplifier current	8A±1A
output voltage	29V±1V
frequency range	180Hz-500Hz
Rated Impedance	8Ω(siren)
	16Ω(speaker, Two parallel)
Operating temperature	-40°C~55°C
Dimension	147*120*42mm(siren)
	185*140mm (speaker)



## CJB15 Series Electronic Sirens



- 6 tones contained: Air horn, Siren, Wail-1, Wail-2, Yelp, Hi-Lo.
- Powers from 80Watts, 100Watts, 150Watts, 200Watts, 300Watts to 400Watts are available to be selected.
- The siren with power of 150Watts, 200Watts, 300Watts, 400Watts has the ability to broadcast two tones at the same time when connecting with two speakers in two channel
- Light control works with any Senken lightbars
- Microphone priority: all other siren functions pause when microphone starts talking
- Siren tones could be modified to make customized tones.

Model	CJB80-15S	CJB100-15S	CJB150-15S	CJB200-15S	CJB150-15	CJB200-15	CJB300-15	CJB400-15
L(mm)	168	168	168	168	240	240	240	240
W(mm)	156	156	156	156	156	156	156	156
H(mm)	55	55	55	55	55	55	55	55
General Current	7A ± 1A	8.5A ± 1A	11A ± 1A	15A ± 1A	13A ± 2A	15A ± 2A	22A ± 2A	30A ± 1A
Rated Voltage	DC12V	DC12V	DC12V	DC12V	DC12V	DC12V	DC12V	DC12V
Load Impedance	8Ω	8Ω	6Ω	6Ω	8Ω+8Ω	8Ω+8Ω	6Ω+6Ω	6Ω+6Ω
Audio Voltage	25V ± 1V	29V ± 1V	30V ± 1V	35V ± 1V	25V ± 1V	29V ± 1V	30V ± 1V	35V ± 1V
PA Voltage	≥18V	≥18V	≥18V	≥18V	≥18V	≥18V	≥18V	≥18V
Static Current	≤300mA	≤300mA	≤300mA	≤300mA	≤350mA	≤350mA	≤350mA	≤350mA
Idling Current	≤0.7A	≤0.7A	≤0.7A	≤0.7A	≤1A	≤1A	≤1A	≤1A
Rated Power	80W	100W	150W	200W	150W	200W	300W	400W

## CJB-R Sirens



- The design of controller separated from the mainframe significantly saves the installation space
- 7 warning tones: Wail1, Wail2, Hi-Lo, Yelp, Siren, horn, tool, with auto memory function, function of record and radio rebroadcast.
- Both KZQ01 and KZQ02 controllers are selectable to match with the mainframe.
- Power options are available in selected ranges: 100watts, 150watts, 200watts, 300watts, and 400watts for greater versatility
- The siren with power of 150watts, 200Watts, 300watts and 400Watts has the ability to broadcast two tones at the same time when connecting with two speakers in two channels.
- Light control works with any Senken lightbars
- Three outputs: Wail2, Lamp1, and Lamp2 can be set in one; with a single button controlling three functions, convenience is realized
- Horn output could be independently connected to vehicle steer, conveniently for driver to operate the horn tone when needed.

Model	L (mm)	W(mm)	H(mm)	Rated Voltage	Rated Power	Rated Impedance	Main Functions	Sound compression level
CJB80R	149	115	55.5	DC12V/24V	80W	8Ω	Phaser, Tool, Yelp, Hi-Lo, Wail-1, Wail-2, Manual, Radio, Horn, Siren, Lamp 1, Lamp 2	107-117dB
CJB100R	149	115	55.5	DC12V/24V	100W	8Ω/11Ω		115-120dB
CJB150R	149	115	55.5	DC12V/24V	150W	6Ω		117-121dB
CJB200R	149	115	55.5	DC12V/24V	200W	6Ω		118-124dB
CJB150R1	245	115	55.5	DC12V/24V	150W	8Ω+8Ω		117-122dB
CJB200R1	245	115	55.5	DC12V/24V	200W	8Ω+8Ω		111-124dB
CJB300R1	245	115	55.5	DC12V/24V	300W	6Ω+6Ω		110-120dB
CJB400R1	245	115	55.5	DC12V/24V	400W	6Ω+6Ω		112-124dB

## Electronic Sirens ELS205

- Designed with new tone procedures, comprehensively improve warning effectiveness.
- Standard power 100Watt or 200Watt could be selected.
- With exterior trigger function, when the siren is turned on, Wail, Yelp and siren could be activated from steering wheel horn ring, convenient for driver to operate.
- The volume of microphone could be adjusted.
- Has Polarity protection function.
- Tones could be customized easily.
- Two-color backlight indicator conveniently for night operation.



Model	ELS 205-100	ELS 205-200
L(mm)	143	
W(mm)	150	
H(mm)	58.5	
Rated Voltage	DC12/24V	
Rated Power	100W	200W
Rated Impedance	11Ω	6Ω
Main Functions	Air horn, Siren, Wail, Yelp, Piecer, Radio Rebroadcast	
Sound Compression	115-125dB	120-130dB





- ⊙ Composite design.
- ⊙ Double-channel Hi-Fi speaker.
- ⊙ With light control function (CJB40AD only)

## CJB40A/CJB40AD

Model	CJB40A	CJB40AD
L (mm)	125	125
W (mm)	139	139
H (mm)	50	50
Rated Voltage	DC12V/24V	DC12V/24V
Rated Power	40W	40W
Rated Impedance	4Ω	4Ω
Main Functions	Yelp, Hi-Lo, Wail-1, Manual, Wail-2, Tool, Horn	Yelp, Hi-Lo, Wail-1, Manual, Wail-2, Tool, Horn, Lamp 1, Lamp 2
Sound compression level	107-112dB	107-113dB

## CJB-100-Y-B/CJB-100-Y-BD

- ⊙ Color digital display panel.
- ⊙ Super-thin profile.
- ⊙ Micro-chip control and steady frequency.
- ⊙ All electronic touch switches.
- ⊙ With light control function (CJB100BD only).
- ⊙ CE Compliant (CJB100B).



Model	CJB-100-Y-B	CJB-100-Y-BD
L (mm)	153	153
W (mm)	172	172
H (mm)	40	40
Rated Voltage	DC12V/24V	DC12V/24V
Rated Power	100W	100W
Rated Impedance	8Ω/11Ω	8Ω/11Ω
Main Functions	Yelp, Hi-Lo, Wail-1, Wail-2, Tool, Aux, Horn, Siren	Yelp, Hi-Lo, Wail-1, Wail-2, Tool, Aux, Horn, Siren, Lamp 1, Lamp 2
Sound compression level	115-124dB	115-124dB

## CJB100A/CJB100AD

- ⊙ With high power and Hi-Fi tones.
- ⊙ Micro-chip control and steady frequency.
- ⊙ Panel with background light function.
- ⊙ With light control function (CJB100AD only).
- ⊙ CE Compliant (CJB100A).



Model	CJB100A	CJB100AD
L (mm)	174	174
W (mm)	200	200
H (mm)	58	58
Rated Voltage	DC12V/24V	DC12V/24V
Rated Power	100W	100W
Rated Impedance	8Ω/11Ω	8Ω/11Ω
Main Functions	Yelp, Hi-Lo, Wail-1, Wail-2, Tool, Manual, Horn, Siren	Yelp, Hi-Lo, Wail-1, Wail-2, Tool, Manual, Horn, Siren, Lamp 1, Lamp 2
Sound compression level	115-123dB	115-123dB



## CJB80B/CJB80BD

- ⊙ Super-thin profile.
- ⊙ With inside high efficiency round transformer.
- ⊙ Panel with background light function.
- ⊙ With light control function (CJB80BD only)

Model	CJB80B	CJB80BD
L (mm)	160	160
W (mm)	163	163
H (mm)	41	41
Rated Voltage	DC12V/24V	DC12V/24V
Rated Power	80W	80W
Rated Impedance	8Ω	8Ω
Main Functions	Yelp, Hi-Lo, Wail-1, Wail-2, Tool, Horn, Aux, Siren	Yelp, Hi-Lo, Wail-1, Wail-2, Tool, Horn, Aux, Siren, Lamp 1, Lamp 2
Sound compression level	115-118dB	115-119dB

## Electronic Siren ELS207

- ⊙ Operates with a single 100/150watt speaker.
- ⊙ Designed with new tone procedures, comprehensively improve warning effectiveness.
- ⊙ 8 primary operating modes: Radio, Aux, Wail, Yelp, Pir, Air-horn override, User selectable tone and push-button manual override.
- ⊙ With exterior trigger function: when the siren is turned on, Wail, Yelp and Pir could be activated from steering wheel horn ring, convenient for driver to operate.
- ⊙ Polarity protection
- ⊙ Double-color backlight indicator adapts night operation
- ⊙ Tones are ready to be customised.
- ⊙ With light control function
- ⊙ Warning sound volume adjustable



Model	ELS 207-100	ELS 207-150
L (mm)		147
W (mm)		147
H (mm)		42
Rated Voltage	DC12/24V	
Rated Power	100W	150W
Rated Impedance	11Ω	6Ω
Main Functions	Air horn, Siren, Wail, Yelp, Piecer, Radio Rebroadcast	

## CJB-100-F-F1



- ⊙ With compact and convenient remote controller.
- ⊙ With high power and Hi-Fi tones.
- ⊙ Micro-chip control and steady frequency.
- ⊙ With light control function.
- ⊙ CE Compliant.

Model	CJB-100-F-F1
L (mm)	202
W (mm)	50
H (mm)	48.2
Rated Voltage	DC12V/24V
Rated Power	100W
Rated Impedance	8Ω/11Ω
Main Functions	Yelp, Hi-Lo, Wail-1, Wail-2, Manual, Tool, Horn, Siren, Yelp Relay, Super Siren, Lamp 1, Lamp 2
Sound compression level	113-123dB





## YD-100H

Model	YD-100H
L(mm)	158.5
W(mm)	123
H(mm)	123
Net Weight	2.95KG
Rated Power	100W
Rated Impedance	8Ω/11Ω
Sound frequency range	200-5000Hz
Directionality	5dB
Distortion	≤5%
Sound compression level	≥115dB



## YD-100A1

Model	YD-100A1
L(mm)	152
W(mm)	188
H(mm)	123
Net Weight	3.17KG
Rated Power	100W
Rated Impedance	8Ω/11Ω
Sound frequency range	200-5000Hz
Directionality	10dB
Distortion	≤4%
Sound compression level	≥118dB



## YD-100I/YD150I/YD200I

Model	YD-100I	YD-150I	YD-200I
L(mm)	152	159	170
W(mm)	188	188	188
H(mm)	123	118	141
Net Weight	3.17KG	3.15KG	4.15KG
Rated Power	100W	150W	200W
Rated Impedance	8Ω/11Ω	6Ω	6Ω
Sound frequency range	200-5000Hz	200-5000Hz	200-5000Hz
Directionality	10dB	10dB	5dB
Distortion	≤4%	≤5%	≤5%
Sound compression level	≥118dB	≥120dB	≥122dB



## YD-100M

Model	YD-100M
L(mm)	203
W(mm)	60
H(mm)	180
Net Weight	2.95KG
Rated Power	100W
Rated Impedance	8Ω/11Ω
Sound frequency range	200-5000Hz
Directionality	5dB
Distortion	≤5%
Sound compression level	≥115dB

## YD50-28/YD100-25 Ultra Thin Speaker

YD50-28



YD100-25



### Features:

- 50-Watt compact speaker
- Slim and Low Profile design
- Optimum performance with highest sound pressure 120dB

### Features:

- 100-Watt compact speaker
- Slim and Low Profile design
- Optimum performance with highest sound pressure 120dB

Model	YD50-28	YD100-25
Rated Power	50W	100W
Rated Voltage	DC12V	DC12V
Current	≤4.5A	≤7.5A
Dimensions	80(W)*146(L)*44(H)mm	157(W)*168(L)*44(H)mm
Sound Compression Level	≥120dB	≥120dB
Working Temperature	-40°~+65°	-40°~+65°
Waterproof Standard	IP65	IP65

## LS-300



Model	LS-300
L(mm)	165
W(mm)	73
H(mm)	165
Net Weight	2.2KG
Rated Power	100W
Rated Impedance	8Ω/11Ω
Sound frequency range	200-5000Hz
Directionality	10dB
Distortion	≤4%
Sound compression level	≥118dB
Housing material	PA66(Nylon)



## YD-1000

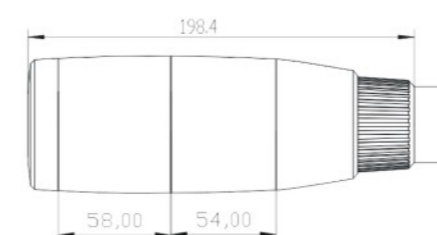
Model	LS-100
L(mm)	186
W(mm)	75
H(mm)	157
Net Weight	3.05KG
Rated Power	100W
Rated Impedance	8Ω/11Ω
Sound frequency range	200-5000Hz
Directionality	10dB
Distortion	≤4%
Sound compression level	≥118dB



# Police Motorcycle Equipments



## Motorcycle Rear Light LTE2125



### Features:

- ◎ Adopt aluminum alloy base and PC lens.
- ◎ Dual color or single color optional.



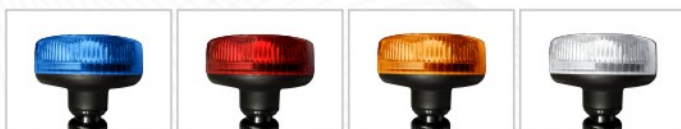
Dimension	Φ70.5mm×195mm
Current	≤1.4A
Temperature	-40°C~70°C
Voltage	DC12V-24V
Waterproof standard	IP66
Lifespan	30000h
Light Source	16PCS 3535 3W LED
Color	Red and Blue, Red, Amber, blue, White Dual color customized
Standard	ECE-R65, SAE J595, GB13954-2009



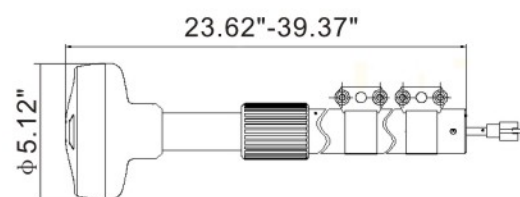
## Motorcycle Rear Light LTG1695

### Features:

- 9pcs GENIII 3W high illumination LED integrated on PC board.
- Color options with red, blue, amber and white.
- Super slim beacon head, waterproof grade IP66.
- Flash pattern can be rotating and flashing, also can be customized.
- Flashing pattern memory function.



E9



Model	LTG1695
LED Power	9PCS 3W LED
LED Lifespan	50000H
Flash settings	2-4HZ
Voltage	DC 10-30V
Max Power	27W
Color Option	Red,Blue,Amber,white
Ambient temperature	-40 +75℃
Waterproof	IP66
Pattern Memory	YES
Size	23.62*5.12"(Extended length 39.37")



## Rear Warning Light LTG1475

- 9PCS GEN III 3W high illumination LED integrated on PC board,
- With parabolic reflector that maximises the illumination of the LEDs
- Polycarbonate lens cover, dustproof and waterproof,
- Optional color with red /blue/amber/white,
- Adopting steel pipe/aluminum alloy supporting pole,
- Height can be extended to be 1040mm.
- Self contained flash circuit or can be controlled by external power supply.

Model	LTG1475
Mounting	LTG282 pole
Rated Voltage	DC12V
Rated Power	27W
Light source	9PCS GEN III 3W LED
Flash pattern	1
Color Options	Red/Blue/Amber/White
Height	650~1040mm
Light head Diameter	130mm

## Rear Warning Light LTG395

- Using LED as light source.
- Polycarbonate double layer lens cover, dustproof and waterproof.
- Adopting aluminum alloy supporting pole, with rubber damping device.
- Height can be adjusted from 805mm to 1200mm.
- Optional with interior circuit board driving or with a 3 output power supply to control together with front lamps.
- Self contained flash circuit or can be controlled by external power supply.

Model	LTG395
L(mm)	97
H(mm)	805-1200
Mounting	Pole
Rated Voltage	DC12V
Rated Power	6W
Color options	Red,Blue,Amber,Clear
Net Weight	2.2KG
Light Source	LED



## Rear Warning Light LTG285

- Using LED as light source.
- Polycarbonate double layer lens cover, dustproof and waterproof.
- Adopting aluminum alloy supporting pole, with rubber damping device.
- Height can be adjusted within 740mm to 1135mm.
- Optional with interior circuit board driving or with a 3 output power supply to control together with front lamps.
- Self contained flash circuit or can be controlled by external power supply.

Model	LTG285
L(mm)	90
H(mm)	740-1135
Mounting	Pole
Rated Voltage	DC12V
Rated Power	6W
Color options	Red,Blue,Amber,Clear
Net Weight	1.2KG
Light Source	LED

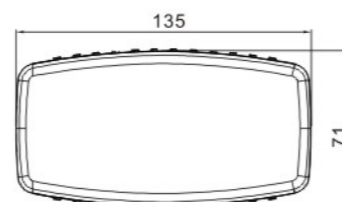


## Motorcycle Front Light LTE2115



### Features:

- 150 degree wide angle beam angle.
- Adopt aluminum alloy base and PC lens.
- Dual layer high power LED.
- ECE R65 and SAE J595 Standard.



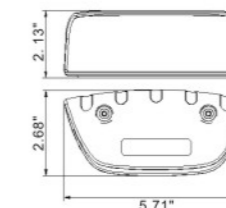
Voltage	DC10V-30V
Light Source	8PCS 3535 3W LED
Color	Red,Amber,Blue,White
Working Temperature	-40°C~70°C
Current	≤1.3A
Lifespan	30000h
Waterproof standard	IP67



## Motorcycle Front Light LTE1705

### Features :

- 5pcs GENIII 3W led in each headlight as light source, high light intensity.
- Wide lens angle design maximizes optical output effectively.
- Adopted high transparency polycarbonate material, can resist heavy impact on color fade.
- Color options with red, blue ,amber and white
- Flashing pattern memory function.



Model	LTE1705
LED Power	5PCS 3W LED
LED Lifespan	50000H
Flash settings	2-4HZ
Voltage	DC 10-30V
Max Power	15W
Color Option	Red,Blue,Amber,white
Ambient temperature	-40 -+75°C
Waterproof	IP66
Pattern Memory	YES
Size(LxWxH)	5.71**2.68**2.13"





## Siren Speaker CJB56DM

- The newest developed siren speaker, first time in the product line we combined audio and visual function together;
- With beautiful appearance, compact design, easy installation and operation, applicable for different types of motorcycles;
- Adopting high intensity anti-impact material for the shell with light weight, corrosion-resistant and no color-fade.
- High power LED light sources.



<b>Model</b>	<b>CJB56DM</b>
<b>L(mm)</b>	209
<b>W(mm)</b>	166
<b>H(mm)</b>	127
<b>Mounting</b>	Permanent
<b>Rated Voltage</b>	DC12V
<b>Current Draw</b>	≤ 6.5A
<b>Rated Power</b>	30W
<b>Color options</b>	Red, Blue, Amber, Clear
<b>Net Weight</b>	2.49KG
<b>Light Source</b>	LED
<b>Sound compression level</b>	≥ 110dB

## Siren Speaker CJB55DM

- The newest developed siren speaker, first time in the product line we combined audio and visual function together;
- With beautiful appearance, compact design, easy installation and operation, applicable for different types of motorcycles;
- Adopting high intensity anti-impact material for the shell with light weight, corrosion-resistant and no color-fade.
- LED light sources;



<b>Model</b>	<b>CJB55DM</b>
<b>L(mm)</b>	209
<b>W(mm)</b>	166
<b>H(mm)</b>	127
<b>Mounting</b>	Permanent
<b>Rated Voltage</b>	DC12V
<b>Current Draw</b>	≤ 5A
<b>Rated Power</b>	25W
<b>Color options</b>	Red, Blue, Amber, Clear
<b>Net Weight</b>	2.49KG
<b>Light Source</b>	LED
<b>Sound compression level</b>	≥ 105dB

## Front Motorcycle Warning Light LTE1405

- Double layer High transparency polycarbonate lens;
- With high output LED light sources
- Dust and waterproof



<b>Model</b>	<b>LTE1405</b>
<b>L(mm)</b>	110
<b>W(mm)</b>	85
<b>H(mm)</b>	55
<b>Mounting</b>	Permanent
<b>Rated Voltage</b>	DC12V
<b>Rated Power</b>	4W+4W
<b>Color options</b>	red/blue/amber/white
<b>Net Weight</b>	0.8KGS
<b>Light Source</b>	GEN III 3W LED

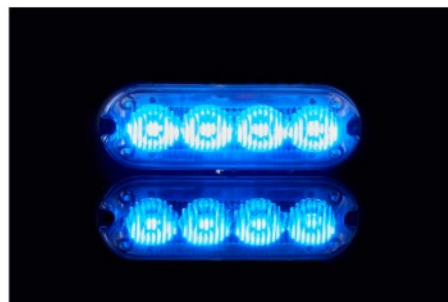
## Front Motorcycle Warning Light LTE335G

- High transparency polycarbonate lens.
- Adopting high quality LED as light source.
- Available options include U-bracket fixing for motorcycle and flush mount for truck
- Optional color with red, blue, amber and clear.



<b>Model</b>	<b>LTE335G</b>
<b>L(mm)</b>	99
<b>W(mm)</b>	70
<b>H(mm)</b>	100
<b>Mounting</b>	Permanent
<b>Rated Voltage</b>	DC12V/24V
<b>Rated Power</b>	4W
<b>Color options</b>	Red, Blue, Amber, Clear
<b>Net Weight</b>	0.6KG
<b>Light Source</b>	LED

## Motorcycle Surface Mounting LED Lighthouse LTE1725



- 4pcs high power 3W led as light source, high warning effect.
- Color options with red, blue, amber and white.
- Great resistance from scratching or cracking, waterproof grade up to IP67.
- 18 flashing patterns, synchronous work can be realized when 2 more lights connected.
- Ability to integrate visually into today's different vehicles or motorcycles application.
- Flashing pattern memory function.

Model	LTE1725
LED Power	4PCS 3W LED
LED Lifespan	50000H
Flash settings	2-4HZ
Voltage	DC 10-30V
Max Power	12W
Color Option	Red, Blue, Amber, white
Ambient temperature	-40 -+75°C
Waterproof	IP67
Pattern Memory	YES
Size(LxWxH)	3.54**1.18**0.59"

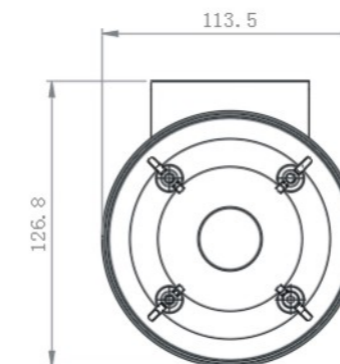
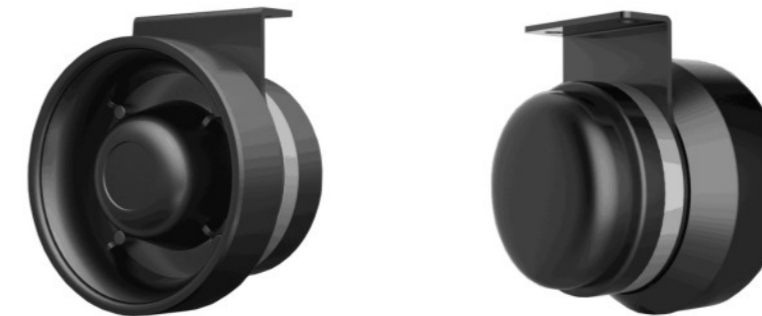
## Front Motorcycle Warning Light LTE1595



- High transparency polycarbonate lens:
- With high output LED light sources
- Dust and waterproof

Model	LTE1595
Working Voltage	DC9-16V
Working Current	5W+5W
Flicker Current	1-3Hz(according to the module)
Size(LxWxH)	4.65**1.41**2.40"
Net Wight	0.6KG

## Speaker YD50-27



### Features:

- Made of aluminum alloy high-strength housing
- Light weight and corrosion-resistant
- Small size, power 50W
- Sound compression level 119dB

Dimension	Φ 113mm×98mm
Voltage	DC12V
Current	≤2.5A
Sound compression level	119dB
Waterproof	IP66
Working Temperature	-40°C~70°C



## Loudspeaker YD-50A Motorcycle Siren CJB100CM

- YD-50A is a motorcycle loudspeaker, with an external output module.
- Each set has two alarm speakers.
- High strength impact resistant material, aluminum alloy shell, good heat dispersion, light weight, long service life.
- Easy for installing, suitable for various models.
- Capacity of control police warning lights mainly(headlights, tail lights, side lights) and alarm speaker.
- Delicate, powerful output power, easy for installing.



Model	YD-50A
Feed Voltage	≤14V
Impedance	8Ω
Power	50W/pc
Frequency Response Range	200-5000HZ
Outline Dimension	133mmX133mmX140mm
Weight	1.5kg/set
Model	CJB100CM
Waterproof grade	IP66
Working voltage	DC12V
Working current	7A±1.5A(8ohm with 2pcs 50W speaker)
Sound compression level	110-120dB
Weight	0.9KG

## Motorcycle Speaker CJB30CM LED Power Supply MK37

- Small and exquisite, suitable for many new type motorcycles.
- With control module to provide 3 or more tones.
- Easy for installation.
- Capacity of controlling police warning lights (headlights, tail lights, side lights) and alarm speaker.
- Delicate, waterproof, powerful output, easy for installation.



Model	CJB30CM
L(mm)	91
H(mm)	108
Mounting	Permanent
Rated Voltage	DC12V
Rated Power	30W+30W
Net Weight	0.75KG/pc
Sound compression level	110dB-120dB
Model	MK37
Working voltage	DC12V
Working Current	1.5A±0.3A(6Ωload )/channel
Idle load Current	<220mA
Audio Output Voltage	11.5±1Vrms
PA Output Voltage	6.5V±0.5V(signal generator 1KHZ, 1V signal test)
Alarm Frequency	Meet XMC0720 MCU technical specifications
Light Control Detection	Light control loads are one LTG1475, two LTE1505, two LTE 1425



## Siren Speaker CJB40AM

- High intensity shell, light body, resistant to high corrosion and color fade
- With three output tones: Wail, traffic and siren, low distortion.
- A set includes one main speaker and one subsidiary speaker
- Capable of matching with wire or wireless amplifier

Model	CJB40AM
L(mm)	146
H(mm)	257
Mounting	Permanent
Rated Voltage	DC12V
Rated Power	20W+20W
Net Weight (Pair)	3.2KG
Sound compression level	109 - 114dB

## Siren Speaker CJB20AM

- High intensity shell, light body, corrosion resistant.
- With three output tones: Wail, traffic and siren, low distortion.
- A set includes one main speaker and one subsidiary speaker.
- Capable of matching with wire or wireless amplifier.
- Add-on controller for halogen flashing lamp built on subsidiary speaker.



Model	CJB20AM
L(mm)	134
H(mm)	194
Mounting	Permanent
Rated Voltage	DC12V
Rated Power	10W+10W
Net Weight (Pair)	2.5KG
Sound compression level	107 - 114dB



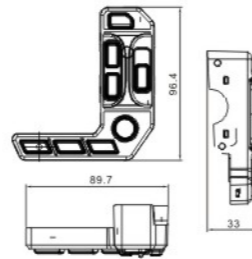
## Controller MTH-D01



### Features:

- Integrated controller for warning light, siren speaker, bluetooth wireless microphone etc..
- Made of aluminum alloy
- IP67 Waterproof standard

Dimension	90*96mm
Voltage	DC10V-16V
Waterproof standard	IP67
Working temp	-40°C~70°C
Bolt center	32/36mm



## Police Handle PH-A01



Model	PH-A01
L (mm)	112
W(mm)	72
H(mm)	61.3
Net Weight	0.33kg

## Warning Devices Combination Switch MTH-A02



Model	MTH-A02
L (mm)	66
W(mm)	66
H(mm)	95
Net Weight	0.29KG

## Module MK39

Integrated module for warning light, siren speaker, bluetooth wireless microphone etc.

- Motorcycle ECU technology
- 2 channel 485 port, without wiring
- 3 channel warning light
- Bluetooth 5.0 supported



Working current	DC12V-24V
Bluetooth rate	5.0
Working temp	-40°C~70°C
Power	2×30W
Waterproof	IP66
Lifespan	30000h

## LED Power Supply MK07



Model	MK07
Working Voltage	DC9-30V
No-load Current	≤5mA
Flash Frequency	1-3HZ
Single Channel Current	≤2.5A

## LED Power Supply MK37A

- Capacity of controlling police warning lights (headlights, tail lights, side lights) and alarm speaker.
- Delicate, waterproof, powerful output, easy for installation.



Model	MK37A/MK37
Working voltage	DC12V
Working Current	1.5A±0.3A(6Ωload )/channel
Idle load Current	<220mA
Audio Output Voltage	11.5±1Vrms
PA Output Voltage	6.5V±0.5V(signal generator 1KHZ, 1V signal test)
Alarm Frequency	Meet XMC0720 MCU technical specifications
Light Control Detection	Light control loads are one LTG1475, two LTE1505, two LTE 1425

## Microphone JHT-7

- Clipped on the helmet, adopting microphone with high quality sound.
- Adopting soft metal wire for connection part, radian is adjustable to make amplification more clearly.



Model	JHT-7
L ( mm )	198
W ( mm )	45
H ( mm )	62
Net Weight	0.065KG



# 4 Beacons Series



## LED Rotating Beacon LTE1585/LTD1585

### Features :

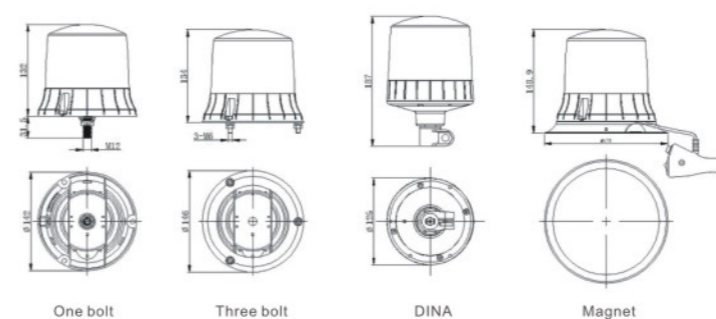
- Adopting high quality GenIII LED as light source with high brightness.
- Colors are optional with red, blue, amber and white.
- 18 pcs GENIII high-Luminosity LEDs intergrated on PC board.
- The unique optical design of two layers LED reflector to provide a focus signal for superior brightness.
- There are two flashing patterns:rotating and strobe . For the DIN mount, the factory set is rotating . (Flashing patterns could be customized according to the customer's needs).
- Bolt , DIN and magnet mounting ways are available.
- ECE R65 approved on amber color.
- Widely applied in the scope of any emergency vehicles, roadsides, fire brigade and other special areas.



### Color Options:



### Outside dimension:



Model	LTD1585	LTE1585
LED power	18pcs LEDs 3W each	18pcs LEDs 3W each
Voltage	DC10V-30V	DC10V-30V
Power	54W	54W
Temperature	-40℃~+75℃	-40℃~+75℃
Standard	R65 Class two approved with amber color	
Mounting	Magnet fix with rubber cover and cigar plug	Three bolt / One bolt/ DIN
Dimension	5.86*7.00*base diameter*3.62* lens diameter	Three bolt : 5.27*High *5.75*base diameter*3.62* lens diameter One bolt : 5.20*High *5.60*base diameter*3.62* lens diameter DIN: 7.36*High *4.92*base diameter*3.62* lens diameter
Weight	1.1KG	0.66KG



## LED Rotating Beacon LTE1695/LTD1695



E9



- 9pcs GENIII 3W high illumination LED integrated on PC board.
- Color options:red, blue ,amber and white.
- Super slim beacon head, waterproof grade IP66.
- Flash pattern can be rotating and flashing , also can be customized.
- Flashing pattern memory function.

Model	LTE1695	LTD1695
LED Power	9pcs 3W LED	
Flash Settings	2-4Hz	
Voltage	DC10-30V	
Color Option	Red, Blue, Amber, White	
Waterproof level	IP66	
Working Temperature	-40℃~+75℃	
Weight	0.51KG	0.92KG

## LED Rotating Beacon LTD1535/LTE1535



E9



- Colors are optional within red, blue, amber and white
- Single bolt DIN A Magnetic versions are available to meet the various application demands
- The unique optical design of LED reflector to provide a focused signal for superior brightness
- Potted circuit board
- Waterproof IP65
- Customerized flash patterns including rotating and flashing.
- ECER65, R10 approved
- Widely applied in the scope of any emergency vehicles, roadsides or other special areas.

Model	LTD1535	LTE1535
LED power	9pcs LEDs 3W each	
Voltage	DC12V-30V	
Power	27W	
Temperature	-40℃~+75℃	
Waterproof	IP65	
Flash patterns	Factory default 2	
Mounting	Magnet fix	Three bolt with rubber cover
Dimensions	4.29" High x 5.6" Base Diameter x 4.4" Lens Diameter	
Wire/cable	2.8 meters long with cigar plug	400mm long 3 core wire
Standard	ECER65, EMC ECE R10	
Weight	1.1KG	0.51KG

## LED Beacon LTE1005/LTD1005



LTE1005



E9

LTD1005

- The new low profile LED beacon, featured with high illumination, compact and aerodynamic design.
- PC board with intergrated microcontroller.
- 9 GEN 3 high-illumination LEDs integrated on PC board.
- With Parabolic reflector that maximises the illumination of the LEDs.
- ECE Reg65 approved on blue color.
- The LTD1005 model features a magnetic mounting,LTE1005 model is a permanent mount with three screws fixing.
- Certificated ECER65.

Model	LTE1005	LTD1005
L(mm)	Φ 153	Φ 153
H(mm)	85	95
Mounting	Permanent	Magnetic
Rated Voltage	DC12V/DC24V	DC12V/DC24V
Current Draw	2.5A	2.5A
Rated Power	≤30w	≤30w
Color options	Red,Blue,Amber,Clear	Red,Blue,Amber,Clear
Net Weight	370g	840g
Light Source	LED	LED
Weight	0.52KG	0.85KG

## LED Beacon LTE905/LTD905



- According to the GB13954-2009 standard.
- Waterproof Ip65.
- GenIII LED light source.high brightness, long life, small size.
- Strong anti-vibration ability, easy installation, operation.
- Widely applied vehicles used by but not limited to police,fire brigade,first-aid team,and engineers;also for illumination in areas such as stations,piers,booths, roadsides,etc.

Model	LTD905	LTE905
L(mm)	Φ 142	Φ 142
H(mm)	131	131
Mounting	Magnetic	Permanent
Rated Power	20W	20W
Rated Voltage	DC12V/DC24V	DC12V/DC24V
Current Draw	≥1A	≥1A
Color options	Red,Blue,Amber,White	Red,Blue,Amber,White
Light Source	LED	LED
Weight	0.67KG	0.35KG

### MINI LED Beacon LL126-1



- High transparency polycarbonate lens, high temperature resistance
- LED light source, long life, small size
- Easy mounting & operation, strong anti-vibration ability
- Widely apply to police, fire, engineering and other special vehicles

<b>Model</b>	<b>LL126-1</b>
<b>L(mm)</b>	Φ 75.6
<b>H(mm)</b>	46
<b>Mounting</b>	Permanent
<b>Rated Voltage</b>	DC10-36V
<b>Rated Power</b>	1W
<b>Working Current</b>	0.3Amax@12VDC
<b>Color options</b>	Red, Blue, Amber, Clear
<b>Light Source</b>	LED
<b>Weight</b>	0.15KG

### MINI LED Beacon LL126-2



- High transparency polycarbonate lens, high temperature resistance
- LED light source, long life, small size
- Easy mounting & operation, strong anti-vibration ability
- Widely applied to vehicles used by police, fire brigades, engineers, etc.

<b>Model</b>	<b>LL126-2</b>
<b>L(mm)</b>	Φ 96.7
<b>H(mm)</b>	129.85
<b>Mounting</b>	Permanent
<b>Rated Voltage</b>	DC10V-100V
<b>Rated Power</b>	4W
<b>Working Current</b>	1Amax@12VDC
<b>Color options</b>	Red, Blue, Amber, Clear
<b>Light Source</b>	LED
<b>Weight</b>	0.18KG

### MINI LED Beacon LL126-3



- High transparency polycarbonate lens, high temperature resistance
- LED light source, long life, small size
- Easy mounting & operation, strong anti-vibration ability
- Widely applied to vehicles used by police, fire brigades, engineers, etc.

<b>Model</b>	<b>LL126-3</b>
<b>L(mm)</b>	Φ 117
<b>H(mm)</b>	91
<b>Mounting</b>	Permanent
<b>Rated Voltage</b>	DC10V-110V
<b>Rated Power</b>	4W
<b>Working Current</b>	1Amax@12VDC
<b>Color options</b>	Red, Blue, Amber, Clear
<b>Light Source</b>	LED
<b>Weight</b>	0.19KG

### Halogen Rotating Beacon RLB700 Series



- Single-bolt, triple-bolt, magnetic and pole mount options are available to meet needs of various mounting applications
- The pole mount type features a DIN A mount specification which provides a standard mounting socket for all type of vehicle internationally.
- With standard cigarette plug for magnetic version and easy wirings for all other types.
- Power rate is available in both DC12V 55W and DC24V 70W on each beacon by changing the bulb and drive belt track easily. The H1 bulb provides reliable and high brightness warning signals as well as an easy maintenance.
- Superior driving system enables a noise-low reliable beacon
- Optimized reflector design gives an excellent light efficiency in a wide area.
- Beautiful appearance.
- Compliant to ECE R65 regulations.

Model	RLB701A	RLB702A	RLB703A	RLB704A	RLB701B	RLB702B	RLB703B	RLB704B
<b>L(mm)</b>	Φ 152.4	Φ 152.4	Φ 152.4	Φ 152.4	Φ 152.4	Φ 152.4	Φ 152.4	Φ 152.4
<b>H(mm)</b>	177.8	177.8	190.5	241.3	177.8	177.8	190.5	241.3
<b>Mounting</b>	Permanent	Permanent	Magnetic	Pole	Permanent	Permanent	Magnetic	Pole
<b>Rated Voltage</b>	DC12V	DC12V	DC12V	DC12V	DC24V	DC24V	DC24V	DC24V
<b>Rated Power</b>	55W	55W	55W	55W	70W	70W	70W	70W
<b>Color options</b>	Amber	Amber	Amber	Amber	Amber	Amber	Amber	Amber
<b>Net Weight</b>	0.78KG	0.68KG	1.22KG	0.75KG	0.78KG	0.68KG	1.22KG	0.75KG

### Halogen Rotating Beacon RLB705



- With high power halogen bulb rotating and stable rotating pulley.
- Standard DIN A pole mounting with flexible rubber collar bendable against obstructions.
- Colors are optional within red, blue and amber.
- Compliant to ECE R65, CE.

<b>Model</b>	<b>RLB705</b>
<b>L(mm)</b>	141
<b>H(mm)</b>	255
<b>Mounting</b>	Pole
<b>Rated Voltage</b>	DC12V
<b>Rated Power</b>	55W
<b>Color options</b>	Red, Blue, Amber
<b>Weight</b>	1.1KG

### Halogen Rotating Beacon RLB706



- With high power halogen bulb rotating and stable rotating pulley.
- Standard DIN A pole mounting with flexible rubber collar bendable against obstructions.
- Colors are optional within red, blue and amber.
- Compliant to ECE R65, CE and SAE.

<b>Model</b>	<b>RLB706</b>
<b>L(mm)</b>	110
<b>H(mm)</b>	217
<b>Mounting</b>	Pole
<b>Rated Voltage</b>	DC12V/24V
<b>Rated Power</b>	55W/70W
<b>Color options</b>	Red, Blue, Amber
<b>Weight</b>	1.1KG



## LED Beacon LL103



E9



- Using Gen III LED as light sources with high brightness.
- Superior optical lens design for excellent 360° visibility horizontally and wide view angle vertically.
- Aluminum pillar inside with good heat dissipation ensuring a stable electrical performance.
- Standard mounting sizes for a user friendly replacement.
- Colors are optional within red, blue, amber and white.
- Universal flash patterns factory-customizable according to customer requirement
- Flash patterns are selectable by self-contained touching switch on the base.
- Certificatid by ECER65.

Model	LL103
L(mm)	Φ 168
H(mm)	127.8
Mounting	Magnetic
Rated Voltage	DC10V-DC30V
Current Draw	≤1.5 A
Rated Power	24W
Color options	Red,Blue,Amber,Clear
Net Weight	0.62KG/0.87KG
Light Source	LED
Weight	0.65KG

## LED Rotating Beacon LTE1675



- Compared with halogen light source, the LED beacon has its advantage like energy saving, environmental protection, high light efficiency and long service life.
- Flash pattern is optional within rotary pattern and flash pattern.
- Color is optional within red, blue, amber and white.
- The two layer design of reflector enable the beacon to output high brightness.
- ECER 65 approved for amber color.
- Widely applied for various emergency vehicles.

Model	LTE1675
Working voltage	10V-30V
Light source	Two-layer LED, total 16 pcs of LED
LED Power	16pcs of 1W LED
Flash pattern	Rotary pattern or flash pattern (Flash pattern can be customized)
Working temperature	-40°C to +75°C
Waterproof level	IP65
Certificate	ECER65 (Class 1) approval for amber color
Mounting	Pole mounting
Dimension	110*213mm
Weight	0.8KG

## Interior&Exterior Lights Series

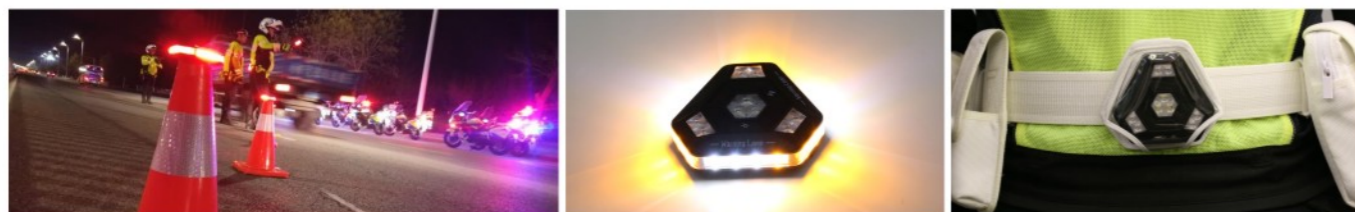




## 360 Rechargeable Warning Light



- ◎ 27\*1W high brightness LED
- ◎ Built-in bluetooth module for synchronization
- ◎ Can be attached to any iron surface with magnet base
- ◎ Rechargeable with built in battery
- ◎ Application: Mining, Policeman, Firefighter, Engineering, Military, Maintenance personnel etc.
- ◎ Weight: 0.16KG



## 360 Magnetic Charging Case

- ◎ The carrying case is drop-resistant, portable, a multifunctional products that can charge all lights at once.



## LED Shoulder Light JD06



- ◎ 360° rotatable Clip
- ◎ Magnetic charging interface
- ◎ Changing the flash pattern by tapping the light
- ◎ Built-in high-strength magnet in the clip that can be attached to iron surface as a warning light
- ◎ IP67 Waterproof standard
- ◎ Weight: 0.04KG



## LED Shoulder Light JD-01/02/03

- ◎ Highlighting, Waterproof, Anti-seismic, Anti-drop
- ◎ Using 8 ultra high brightness LED chips Flash color depends on user's
- ◎ Flash color depends on user's different requirements for matching red, blue, yellow, white, etc.



JD-01 JD-02 JD-03

Model	JD-01	JD-02	JD-03
Weight	0.06KG	0.05KG	0.05KG
Battery Capacity	3.7V/550mAh	3.7V/550mAh	3.7V/370mAh
Continue to Work	≥11h		
Waterproof Grade	IP64		IP65
Pulse Current	20mA(The single largest)		
Light Intensity	7000mcd(The single largest)		
Color	Red and blue(Standard)	Yellow and white(Match)	red and blue
Flicker Frequency	Red blue:0.5/0.5/1Hz	Single LED 8Hz	Red blue
Temperature	-35°C- +35°C		
Anti drop height	1.5m		



## Warning Lighthouse LTE-A15/A25

- Designed with 180 degree output light, its illumination effect is three times as bright as regular lamps, which greatly reduce installation cost.
- The body is made of thickening aluminum alloy for efficient heat conduction, which can dramatically reduce LED light decay.
- With professional different optical lens enhance optimal brightness.
- High transparency ANTI-UV polycarbonate lens and surface UV hardening improve the hardness and reduce the risk of yellowing and scratch.
- SAE and ECER65 approved.



E9

Model	LTE-A15	LTE-A25
Color Option	Red/Blue/Amber/White	Red/Blue/Amber/White
Voltage	DC10-30V	DC10-30V
Operating Temperature	-30°C-60°C	-30°C-60°C
LED	9Pcs 3WLED	18Pcs 3WLED
Flash Pattern	12	12
Mounting	Screw	Screw
Dimension	131(L)X38.7(W)X29.8(H)mm	131(L)X38.7(W)X29.8(H)mm
Current Draw	131(L)X29(W)X30(H)mm	131(L)X38.7(W)X29.8(H)mm
Waterproof	≤1.8A	≤3A
Weight	0.07KG	0.44KG

## Signalling and Illumination Light LTE1755

- It has the integrated function of stable burning light and flash warning light.
- High transparent polycarbonate lens.
- Extremely bright LED for emergency ambulance.
- Easy installation and low maintenance.
- Color is optional within red/white,blue/white,amber/white.
- IP67 waterproof standard.



E9

## Perimeter LED Light LTE1895/1885



LTE1895

LTE1885

Model	LTE1755	LTE1895	LTE1885
Size	L*W*H:200*160*55mm		L*W*H:170*134*64.50mm
Working voltage	DC10-30V		
Color option	Red/white, Blue/white, Amber/white	Red / white / blue / amber	
Flash pattern	11 flash patterns		
Waterproof	IP67		
Working Temperature	-40°C~+75°C		
Mounting	Screw mount		
Standard	ECE R65,ECE R10,SAE J845	ECER65 and SAEJ845	
Weight	0.81KG	0.91KG	0.66KG

## Lighthouse LTE1835-6/ LTE1835-4/LTE1835-8



### Features :

- ◎ Adopt high-Intensity 3W LED
- ◎ Available in Red, Blue, Amber, and White color
- ◎ Solid aluminum housing for efficient heat dissipation prolongs lifespan
- ◎ Weatherproof and vibration resistant design for internal or external use
- ◎ High performance warning or illumination in an extremely compact design SAE,ECE R65 Standard

Model	LTE1835-8	LTE1835-6	LTE1835-4
Color	Red/Blue/Amber/White		
Voltage	DC10V-30V		
Profile color	Black		
Waterproof standard	IP67		
Working temp	-40°C~+75°C		
Mounting	Bolt mounting		
Weight	0.1KG	0.09KG	0.06KG

## Ultra Thin Lighthouse LTE2015

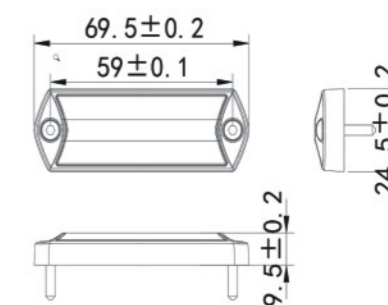


Voltage	DC10V-30V
Color	Red/Blue/Amber/White
Working current	≤500mA
Flash pattern	12 (Customized)
Power	9W
Weight	28g
Waterproof standard	IP67
Mounting	Multiple mounting brackets and positions optional
Standard	ECE-R65, SAE J595, B13954-2009
Weight	0.03KG



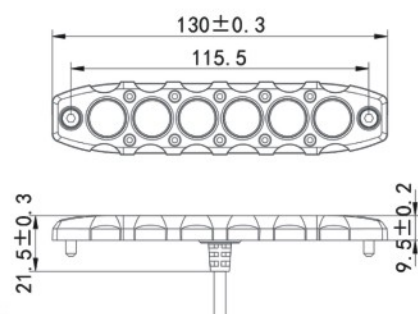
### Features :

- ◎ A low profile design, with a depth of only 9.5mm
- ◎ Available in Red, Blue, Amber, and White
- ◎ Ultra low-profile, with a depth of only 9.5mm
- ◎ Solid aluminium housing for efficient heat dissipation prolongs lifespan
- ◎ Higher UV stability to prevent lens from yellowing over time





## Ultra Thin Lighthouse LTE1975



LTE1975 adopts high brightness LED prolongs lifespan. An extremely compact design with a depth of only 9.5mm and multiple flash patterns, ideal for all kind of emergency vehicles.

Voltage	DC10V-30V
Color	Red/Blue/Amber/White
Working current	≤1A
Flash pattern	12 (Customized)
Power	18W
Weight	60±5g
Waterproof standard	IP67
Mounting	Multiple mounting brackets and positions optional
Standard	ECE-R65, SAE J595, B13954-2009
Weight	0.07KG

## Interior Light ZMD08SK



ZMD08SK is an ultra thin illumination light with high power LED, ideal for interior use, such as ambulance, police vehicles, SUVs, etc.

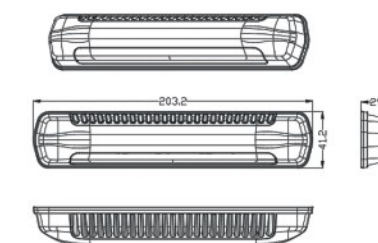
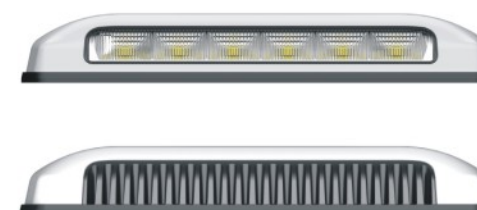
### Features :

- Adopts 48pcs high power LED, wide illumination area.
- High quality PC lens enables high light transmission rate
- Hidden screw provide simple installing effect.
- Ultra thin - 14.7mm.

Power	11W
Appearance	Silver gray frame, white lens
Voltage	DC10-30V



## Illumination Light LTE2205



### Features :

- Solid aluminium housing for efficient heat dissipation prolongs lifespan
- Adopts 6pcs high power LED
- Rated IP67 for dust and water resistance
- Hidden bolt mounting



Waterproof Standard	IP67
Working Temperature	-30°C~+50°C
Working Voltage	DC10-30V
Weight	0.2KG



## LED Warning Light LTE1615-3/-4

Available Colors 

- High Power Gen III LED as light source.
- Unique appearance, compact structure and convenient operation.
- With low profile for flexible mounting to meet different applications.
- New structure that has air hole on the inside lens to avoid deformation caused by internal air expansion.
- 13 synchronous and asynchronous flash pattern available; customizable on your requests.
- Black and chrome aluminum housings available.
- Compliant to ECE R65 regulation.



E9

Model	LTE1615-3	LTE1615-4
Working Voltage	DC10-30V	
Working current	Less than 0.8A	
Mounting	Screw	
Flash patterns	13 synchronous and 13 asynchronous	
Dimension	115*45*26mm	
Light source	3pcs 3W LEDES	4pcs 3W LED
Weight	0.15KG	0.2KG

## LED Warning Light LTE1615-8

- Various color combinations available among red, blue, white, amber to meet different application demands.
- Flush mount applicable for various vehicle bodies.
- With 28 flash patterns.
- Wide working voltage from 10V to 30V.
- Synchronized or asynchronous work could be realized when 2 more lamps connected.



Model	LTE1615-8
L(mm)	115
W(mm)	75
H(mm)	27.5
Mounting	Permanent
Rated Voltage	DC10V-30V
Current Draw(Max)	1A
Light Source	8pcs 3W LED
Weight	0.3KG

## LED Light LL130

Available Colors 

- Utilizing the most advanced and versatile LED.
- Offers the widest warning angle for any other light in its size.
- The light is able to be programmed to offer single, double, or tri-color warning in addition to a steady burn color.
- The Valiant is programmed with up to 25 built in flash patterns taking.



Model	LL130
Working Voltage	DC12V
Working current	<1.0A@12.8Vdc
Flash patterns	25 flash pattern
Dimension	4"L*1"D*1.5/16"H
Weight	0.22lbs.(0.1KG)

## LED Light LL135 Series

- Adopting High Performance Gen 3 LED, and creatively using LINE lens designed by advanced optical system.
- Ideal homogeneous light shape, and stronger beam directivity.
- Great sealing technology, adopted silicon to prevent bolt IP65 pressure; waterproof, workable under harsh environment
- Single color and bi-color options available
- Synchronous flash and asynchronous flash are available.
- Certificated by ECER65.



E9



Model	LL135-1	LL135-2
L(mm)	98.4	120.4
W(mm)	33.7	46.4
H(mm)	25.2	24.2
Flash Patterns	25 flash patterns	15 flash patterns
Rated Voltage	10-30V	10-30V
Current Draw	less than 0.5A	less than 0.5A
Gen 3 LED quantity	4pcs	8pcs
Operations Temperature	-40°C to +55°C	-40°C to +55°C
Color Options	Single Color	Dual Color
Weight	0.06KG	0.06KG

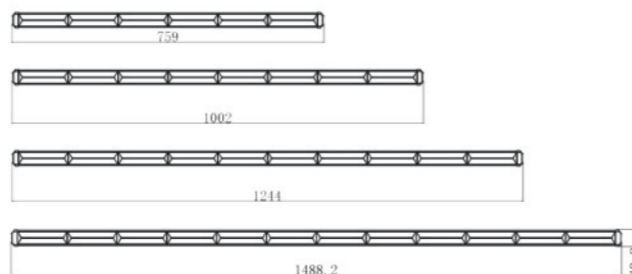


## Traffic Advisor LTE2135



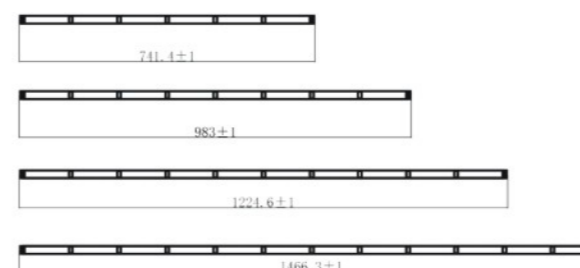
### Features :

- Ultra thin traffic advisor
- Adopts high power LED as light source
- Available in single or split colors - red, blue, amber, white optional
- Built-in 12 selectable flash patterns and directional pattern
- Solid aluminium housing for efficient heat dissipation prolongs lifespan
- ECE R65 and SAEJ595 Standard



Model	LTE2135-6	LTE2135-8	LTE2135-10	LTE2135-12
Service life	30000h			
Voltage	DC12V			
Working current	≤7A			
LED	3W			
Approval	ECE-R65, SAE J595, GB13954-209			
Waterproof standard	IP67			
Temperature	-40°C~70°C			
Weight	1.35KG	1.6KG	1.95KG	2.1KG

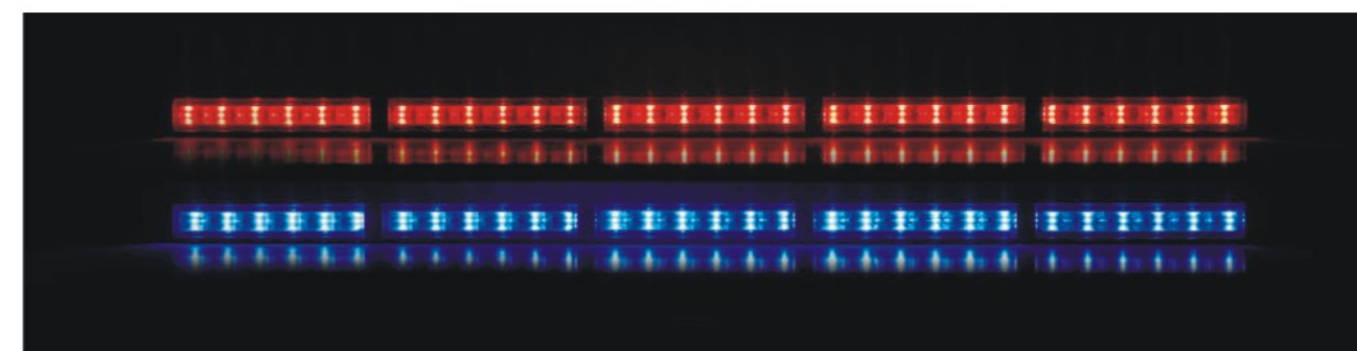
## Traffic Advisor LTE2215



### Features :

- Ultra thin traffic advisor
- Adopts high power LED as light source
- Available in single or split colors - red, blue, amber, white optional
- Multiple selectable flash patterns and directional patterns
- Solid aluminium housing for efficient heat dissipation prolongs lifespan
- ECE R54 and SAE J595 Standard

Lifespan	30000h
Voltage	DC10-30V
Current	≤10A
Light source	72(3W)
Flash pattern	12 (Customized)
Approval	ECE-R65, SAE J595, GB13954-2009
Waterproof standard	IP67
Working Temp	-40°C~70°C
Dimension	1466 (adjustable length) *23.5 (W) *38 (H) mm





## LED Light LL108 Series

### Features :

- Using high power Gen III LED as light sources with reliable performance and low power consumption.
- Superior optical system, enabling excellent light forms and wide view angles.
- Flexible mountings, optional within surface mount and bracket mount.
- Compact aluminum housing, good heat sink capability for heavy duty application.
- Diversified combination options of different overall lengths are available.
- Colors can be chosen from red, amber and blue based on your requests
- All options are available with DC12V applications.
- Inside standard flash patterns with maximum 25 options in the current design.
- Can be designed to include flash patterns and modular combinations if needed.



LL108BH2



LL108AH4



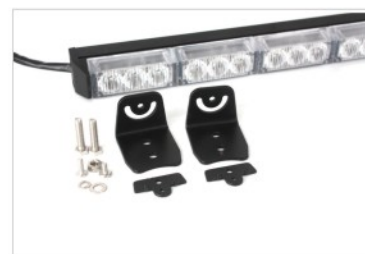
LL108BH6



LL108BH8

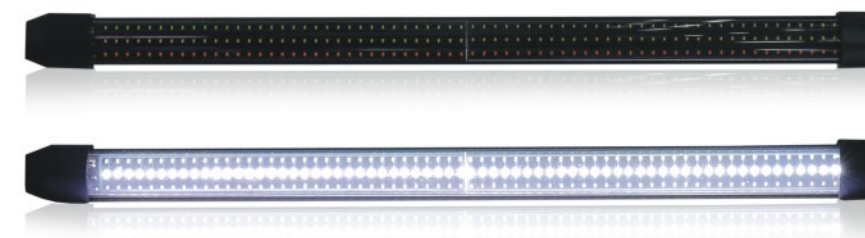


LL108AH12



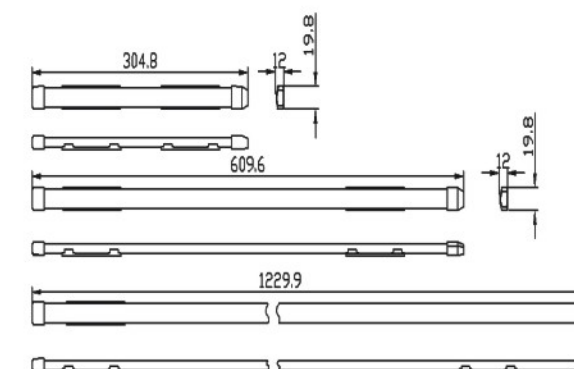
Model	LL108BH2	LL108AH4	LL108BH6	LL108BH8	LL108AH12
L(mm)	205.3	316	568.1	749.5	900
W(mm)	36.5	36.5	36.5	36.5	36.5
H(mm)	35	35	35	35	35
Mounting	Permanent	Permanent	Permanent	Permanent	Permanent
Rated Voltage	DC12V/24V	DC12V/24V	DC12V/24V	DC12V/24V	DC12V/24V
Current Draw	700 mA	1.4A	2.1A	2.8A	2.8A
Rated Power	16W	24W	48W	64W	72W
Color options	Red,Blue,Amber,Clear	Red,Blue,Amber,Clear	Red,Blue,Amber,Clear	Red,Blue,Amber,Clear	Red,Blue,Amber,Clear
Net Weight	0.3KG	0.6KG	0.9KG	1.09KG	1.5KG

## Light Strip LTE2075

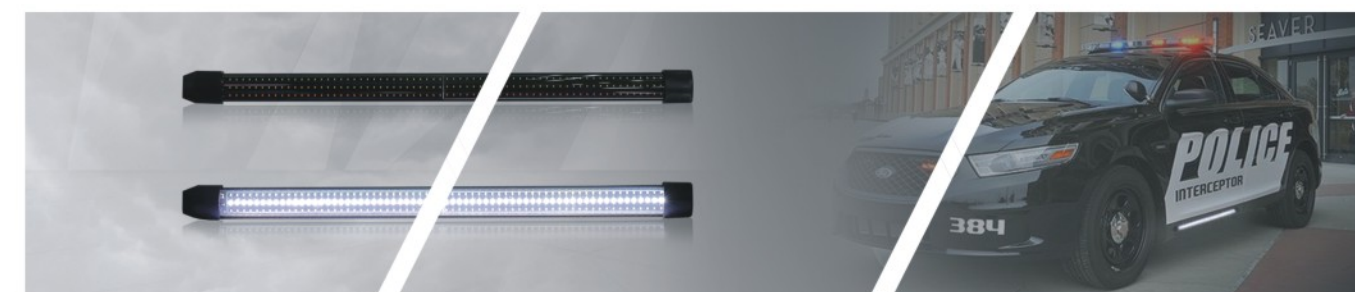


### Features :

- A narrow robust light strip, only 20mm
- Super-LED technology to provide high intensity warning and illumination
- Compatible with a variety of applications in windshield, vehicle rocker panels, rearview mirror, etc
- Rated IP67 for dust and water resistance for exterior or interior installation
- Bendable – can be mounted in curved surface

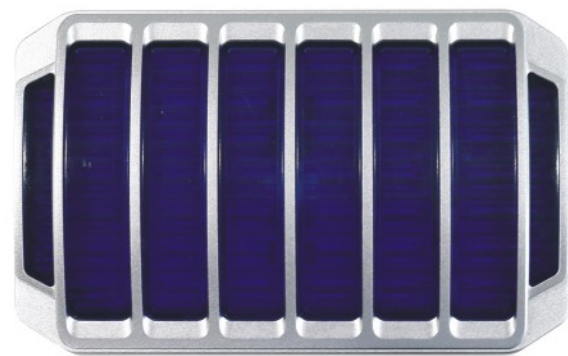


LED	Red white blue, red white blue
Voltage	DC10-30V
Color	Black
Waterproof standard	IP67
Dimension	30cm,60cm,120cm





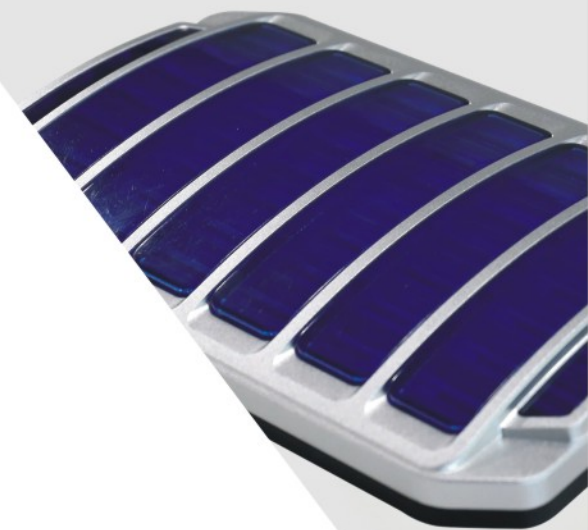
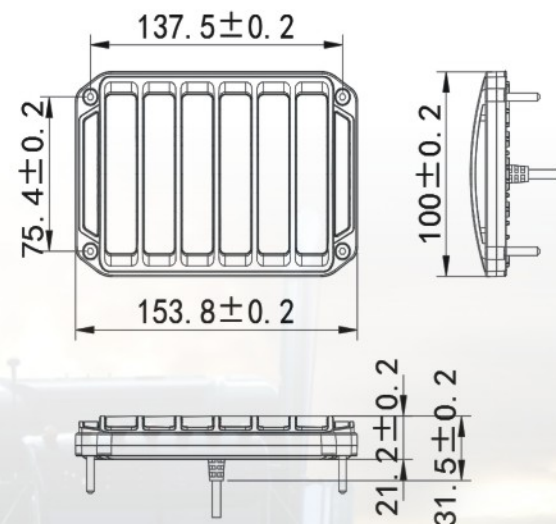
## Perimeter Light LTE2085



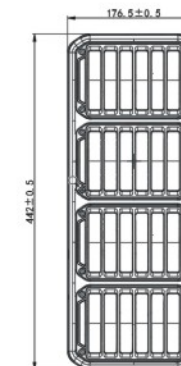
### Features:

- LOW PROFILE - with a depth of only 21mm
- Available in Warning, Brake/Tail/Turn, Turn Arrow, Back-up Light models
- Solid aluminium housing for efficient heat dissipation prolongs lifespan
- Rated IP67 for dust and water resistance
- Higher UV stability to prevent lens from yellowing over time

Voltage	DC10-30V
Power	26W
Current	≤1.7A(12V) 0.8A(30V)
Waterproof standard	IP67
Flash pattern	12 (order)
Approval	ECE-R65,SAE J595,GB13954-2009
Color	Red,blue,amber,white



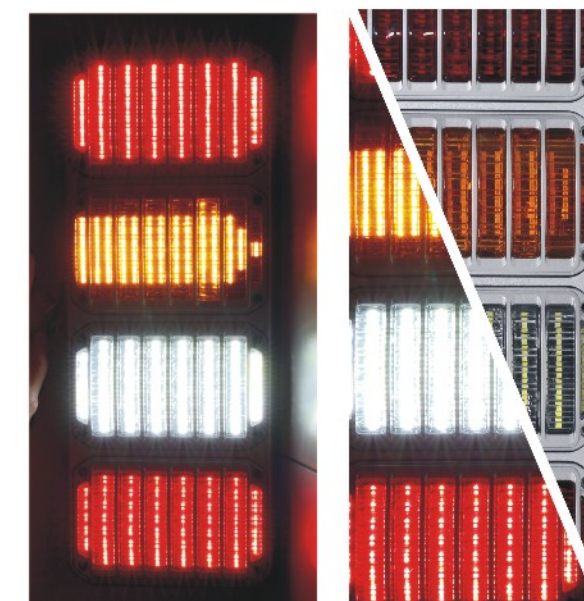
## Perimeter Light System LTE2085 RYWR



### Features:

- LOW-PROFILE - with a depth of only 24.5mm
- Solid aluminium housing for efficient heat dissipation prolongs lifespan
- Higher UV stability to prevent lens from yellowing over time
- Rated IP67 for dust and water resistance
- Assembly includes LED Warning, Brake/Tail, Turn/Turn Arrow, Back-up Light mounted in a bezel

Voltage	DC10-30V
Color	Red,amber,white
Power	80-90W
Waterproof standard	IP67
Approval	ECE-R65,SAE J595,GB13954-2009





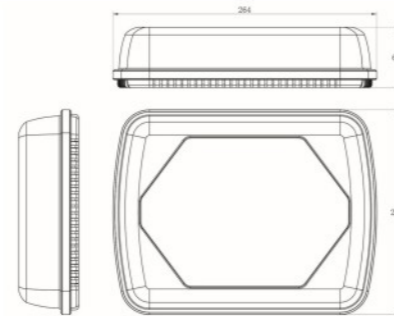
## Super Slim&Short Minibar LTE/LTD1665

### Features:

- Designed with professional optical software, high brightness and 360° endless visual warning effect.
- Meet standard ECER65 and SAE845.
- Flash patterns could be customized.
- Super slim design, greatly reduce the wind resistance.
- Amber, red, blue, or white color available.



SAE



Model	LTE1665	LTD1665
Voltage	DC10-30V	
Flash patterns	14	
Waterproof level	IP67	
Temperature	-40°C~+75°C	
Installation	bolt	magnetic
Dimension	10.5"(L)x8"(W)x2.35"(H)	
Weight	1.6KG	

## LED Visor Light LTE1735

### Features:

- State-of-the-art optical design and GEN III LED enables high illumination intensity from vehicles to vehicles in a wide range.
- Optimized circuit enables a secure operation against instant over load.
- Easy flash pattern selection from the touch-off button on the back of light.
- High intensity suction cups, positions and quantity are selectable on bracket according to windshield glass of different gradients.
- Dual-portion flashes in each module enables more flexible flash patterns from a compact size.
- Lamp shade adjustable in angles; excellent technical design on the ends to make sure fixation during vibration
- Colours are optional within red, blue and amber.

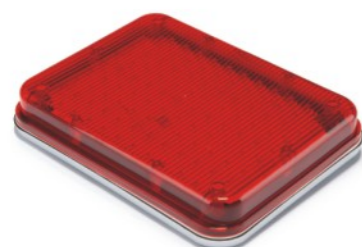


Model	LTE1735
L(mm)	247
W(mm)	141(Including shading plate)
H(mm)	39
Mounting	SUCTOIN-CUP
Rated Voltage	DC12V
Current Draw	1.4 ± 0.2A
Rated Power	16W
Color options	Red,Blue,Amber,Clear
Net Weight	0.5KG
Light Source	LED



## Perimeter LED Light LTE515

- High transparency polycarbonate lense..
- Adopting high quality LED as light sources.
- Optional color with red, blue, amber and clear.
- Applicable for vehicle mark lights.



Model	LTE515
L(mm)	235
W(mm)	182
H(mm)	35
Mounting	Permanent
Rated Voltage	DC12V/24V
Rated Power	7W
Color options	Red,Blue,Amber,Clear
Net Weight	0.5KG
Light Source	LED

## Perimeter LED Light LTE855

- Adopted high transparency material, can resist both heavy impact and color fade
- Using imported LED as light source .
- Color options are red, amber and blue



Model	LTE855
Voltage	DC12V/24V
Power	15W
Net Weight	0.7Kg
Size	282x230mm
Set In One Package	8

## Perimeter LED Light LTE335G

- High transparency polycarbonate lense.
- Adopting high quality LED as light sources.
- Optional color with red, blue, amber and clear.
- Optional with slope and flush mount for truck applications.



Model	LTE335G
L(mm)	99
W(mm)	70
H(mm)	38
Mounting	Flush Mount
Rated Voltage	DC12V/24V
Rated Power	3W
Color options	Red,Blue,Amber,Clear
Net Weight	0.08KG
Light Source	LED

## Perimeter LED Light LTE595A



- High transparency polycarbonate lense.
- Adopting high quality LED as light sources.
- Optional color with red, blue, amber and clear.
- Applicable for vehicle mark lights.
- Optional with slope and flush mount for truck applications.

Model	LTE595A
L(mm)	182
W(mm)	109
H(mm)	79
Mounting	Flush Mount
Rated Voltage	DC12V/24V
Rated Power	7W
Color options	Red,Blue,Amber,Clear
Net Weight	0.24KG
Light Source	LED

## Surface/Recessed Mount Light LTE1025

- Robust and Durable Polycarbonate construction for maximum impact resistance.
- Low profile design.
- Integrated control module allowing 25 flash modes.
- High efficiency combination lens & reflector optical system.
- 8x1 watt high power LED.
- Easy installation with mounting frame.
- Rubber bezel creates a soft and sealed panel mounting.
- Rear cable entry.



Model	LTE1025
L(mm)	176
H(mm)	115
W(mm)	47
Mounting	Screw
Voltage	DC12V/24V
Rated Voltage	DC 9-16V
Current Draw	≤ 1.3A
Rated Power	24W
Color options	Red,Blue,Amber,Clear
Light Source	SMD LED 8x1 WATT
Weight	0.35KG

## Surface/LED Light LTE295G/LTE295G1



- High transparency polycarbonate lense..
- Adopting high quality LED as light sources.
- Optional color with red, blue, amber and clear.
- Applicable for vehicle mark lights.

Model	LTE295G	LTE295G1
L(mm)	201.8	181
W(mm)	95	75
H(mm)	35	26
Mounting	Flush Mount	Permanent
Rated Voltage	DC12V/24V	DC12V/24V
Rated Power	7W	7W
Color options	Red,Blue,Amber,Clear	Red,Blue,Amber,Clear
Net Weight	0.2KG	0.2KG
Light Source	LED	LED



## Minibar MIB606-S127

- 8 high brightness LED modules total 24 Gen3 LEDs
- 4 mounting ways available: Magnet, 2 bolt fixing, 4 bolt fixing and one bolt fixing according to the application choice.
- Total 25 flash patterns.
- Polycarbonate lens cover selectable for clear or amber.



<b>Model</b>	<b>MIB606-S127</b>
<b>L(mm)</b>	400
<b>W(mm)</b>	200
<b>H(mm)</b>	63
<b>Rated Voltage</b>	DC10-30V
<b>Current Draw</b>	less than 4.5A
<b>Flash Patterns</b>	20 flash patterns
<b>Operations Temperature</b>	-20°C to +40°C
<b>Weight</b>	1.5KG

## Minibar MIB606-S1005

- Two powerful LED modules total 18 Gen3 LEDs , each model with wide angle reflector to boost light effiently.
- 4 mounting ways available: Magnet, 2 bolt fixing, 4 bolt fixing and one bolt fixing according to the application choice.
- Total 35 flash patterns.
- Polycarbonate lens cover selectable for clear or amber.



<b>Model</b>	<b>MIB606-S1005</b>
<b>L(mm)</b>	400
<b>W(mm)</b>	200
<b>H(mm)</b>	63
<b>Rated Voltage</b>	10-30V
<b>Current Draw</b>	less than 4A
<b>Flash Patterns</b>	35 flash patterns
<b>Operations Temperature</b>	-20°C to +40°C
<b>Weight</b>	1.6KG

## Minibar MIB605-S01 Series

- Low profile design to dramatically enlarge region of vision
- Two powerful LED modules total 18 Gen3 LEDs, each model with perfect optics lens and diamand reflector to boost light efficiently.
- 4 mounting ways available: Magnet, 2 bolt fixing, 4 bolt fixing and one bolt fixing according to the application choice.
- Total 11 flash patterns.
- Polycarbonate lens cover selectable for clear or amber.
- Certificated by ECER65.



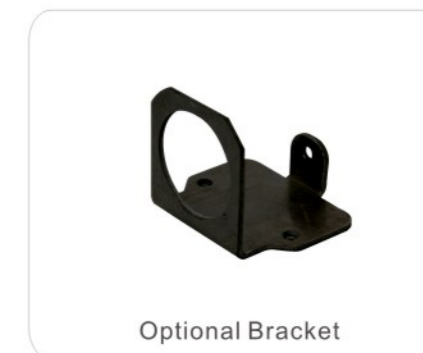
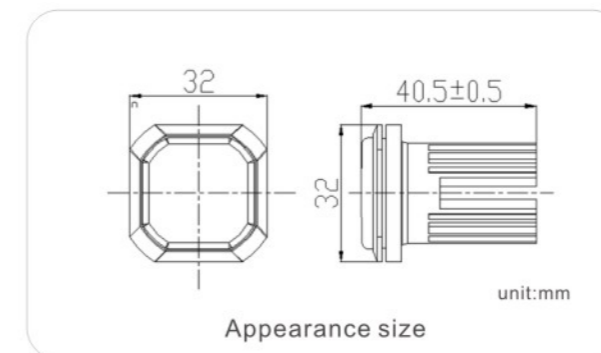
<b>Model</b>	<b>MIB605-S01</b>
<b>L(mm)</b>	440
<b>W(mm)</b>	200
<b>H(mm)</b>	120
<b>Rated Voltage</b>	10-30V
<b>Current Draw</b>	less than 6A
<b>Flash Patterns</b>	11 flash patterns
<b>Operations Temperature</b>	-20°C to +40°C
<b>Weight</b>	2.6KG

## LED Hide A-WAY Light LTE1555



### Features

- Specially developed with 1pc 10Watts LED built in.
- Working voltage from 10V to 30V.
- Waterproof meet IP67.
- Sync or alternative flash pattern available;total 14 flash patterns.
- Flush mount or bracket mount is selectable according to the application.



<b>Model</b>	<b>LTE1555</b>
<b>Working Voltage</b>	DC10-30V
<b>Color</b>	red/blue/amber/white/tricolor
<b>Power</b>	single color 10W/tricolor 30W
<b>Flash patterns</b>	15 flash patterns for single color Tricolor: 26 flash patterns, and also have illumination function
<b>Weight</b>	0.17KG



## LED Hide Away Light LL120/LL120D Series

- ◎ Unique single 10W LED light source
- ◎ With 28 flash patterns
- ◎ Wide working voltage from 10V to 30V
- ◎ Max Operating Current :1A
- ◎ Synchronized or asynchronous work could be realized when 2 more lamps connected.



LL120

LL120D

Model	LL120	LL120D
L(mm)	Φ 31.5	Φ 31.5
H(mm)	18	18
Flash Patterns	14 flash patterns	15 flash patterns
Technology	1 Gen3 LED 10Watts	6 Gen3 LED 18Watts
Rated Voltage	DC10-16V,DC10-32V	DC10-16V,DC10-32V
Colors Choice	Single color for each lighthouse	Single or Dual colors optional for each lighthouse
Light Source	LED	LED
Operations Temperature	-40°C to +65°C	-40°C to +65°C
Weight	0.17KG	0.35KG
Mounting	Headlight, Taillight or Surface Mount with optional Bezels	

## LED Hide A-WAY Light LL120H

- ◎ LL120H LED Hide A-way light adopts high power Gen III LED as light sources with unique appearance, compact structure, convenient operation and diversified flash patterns.
- ◎ With superior circuit design, its characteristics are high brightness, low working current, easy installation and long service time.
- ◎ It is specially designed to assist all typed of emergency vehicles.
- ◎ Users can easily find out and confirm the flashing mode needed by special indication.



Model	LL120H
Working Voltage	DC10V-DC30V
Light power	10W
Colour options	Red,Blue,White
Flash pattern	25
Mounting	Permanent
Weight	0.18KG

**Illumination  
Systems**

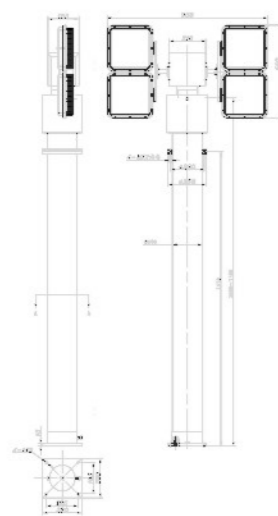




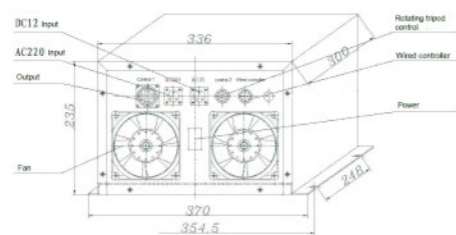
## SG75-4600X Telescoping Mast Light tower

To fixed the mast by drilling a hole at the roof, and lift the tripod head up to 7.5m, the SG professional telescoping Mast Light tower is suitable for communications command vehicles, emergency lighting vehicles, rescue vehicles, fire vehicles and other large special vehicles equipment.

- Using the industry initiative heat pipe radiator (Install high-speed silent waterproof fan).
- Product size is small, light weight, suitable for vehicle installation.
- High brightness, energy saving, long life.
- Quick start reaction, start without interference.
- Safety low voltage, green non-pollution.



Dimensions



Control box outline drawing

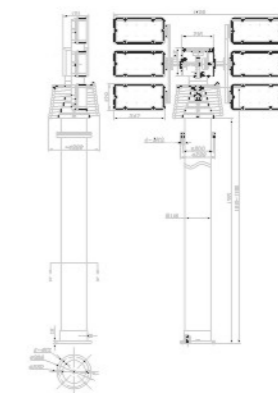


System working voltage	DC12V/DC24V	Equipment working environment temperature	-20°~65°
Lamp working voltage	AC220V	Light switch mode	Two sets of lighting separate control
Lamp power	600W*4	Light source type	LED
Lamp working current	≤15A ( max )	Control method	Wired and wireless control
Rotating working current	≤2A ( max )	Remote control distance	≥30 meters, using three AAA batteries
Horizontal rotation angle	380°	Protocol control method	RS485 Control Interface (built-in)
Vertical rotation angle	330°	Lifting power	pneumatic
Horizontal, vertical rotation speed	4r/min	Lifter raised height	7.5M
Luminous flux	250000lm	Lifting closing height	2.0M
Lamp life	20000H	Lifter height difference	5.5M

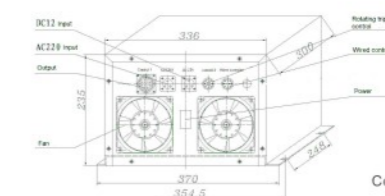
## SG75-6250T Fire Fighting Telescoping Mast Light Tower

SG75-6250T is specially designed for heavy duty fire truck lighting, rescue, engineering emergency lighting, Disaster relief emergency lighting, police lighting, etc.

- COB-LED light source, providing high brightness, far lighting distance.
- With 380°horizontal rotating & 180°vertical rotating, providing wide range of illumination.
- Quick start reaction, start without interference.
- Energy saving, long life; Non-pollution.



Dimensions



Control box outline drawing

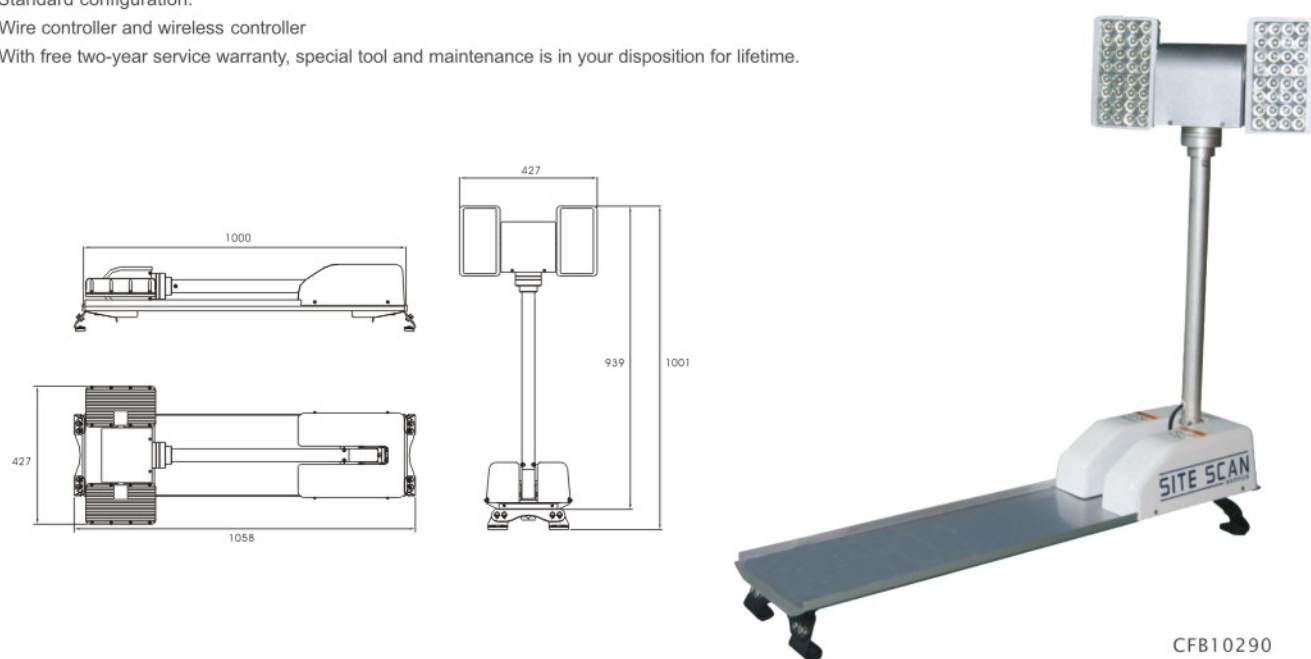
System working voltage	DC12V/DC24V	Light switch mode	Two light control button
Lamp working voltage	AC220V	Light source type	LED
Lamp power	250W*6	Control method	Wired and wireless control
Lamp working current	≤8A ( max )	Remote control distance	≥30 meters, using three AAA batteries
Rotating working current	≤2A ( max )	Protocol control method	RS485 Control Interface (built-in)
Horizontal rotation angle	380°	Lifting power	pneumatic
Vertical rotation angle	180°	Spring wire	Extra-position
Horizontal, vertical rotation speed	4r/min	Lifter raised height	7.5M
Luminous flux	150000lm	Lifting closing height	1.9M
Lamp life	20000H	Lifter height difference	5.6M
Equipment working environment temperature	-20°~55°		



## Mini LED Vehicle-Mounted Lighting Equipment SITE SCAN

This Site scan is mainly applied for installation on the roof of cars, special vehicles, etc. For its small performance, it's fairly suitable for installation on the roof of small size vehicles

- Scope of application:  
Widely used in accident scene, criminal investigation, emergency lighting, metallurgy, road site construction.
- Standard configuration:  
Wire controller and wireless controller  
With free two-year service warranty, special tool and maintenance is in your disposition for lifetime.



CFB10290



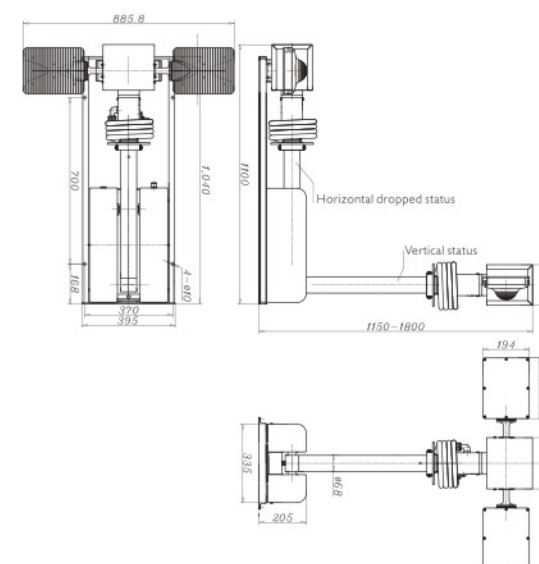
Part number	System working voltage (V)	Lamp working voltage (V)	Light source	Lamp working current (A)	Horizontal rotary angle	Vertical rotary angle	Tube luminous flux (Lm)	Weight (Kg)	The horizontal rotary radius (mm)
CFB10290	DC12	DC12	LED	12	345°	180°	12000	23	230
CFB12290	DC12/24	DC12/24	LED	12	380°	330°	12000	40	410

## LED Vehicle-Mounted Lighting Equipment SITE SCAN



The Site scan is fairly suitable for installation on the roof of small and medium size vehicles like Cars, Pickup truck to deal with the small size accident scene and emergency lighting ect.

- The Site scan has a hot start function.
- The equipment lighting power can be supplied from the vehicle battery.
- A camera and antenna equipment could be assembled according to customers requirement to increase the safety and improve the performance.



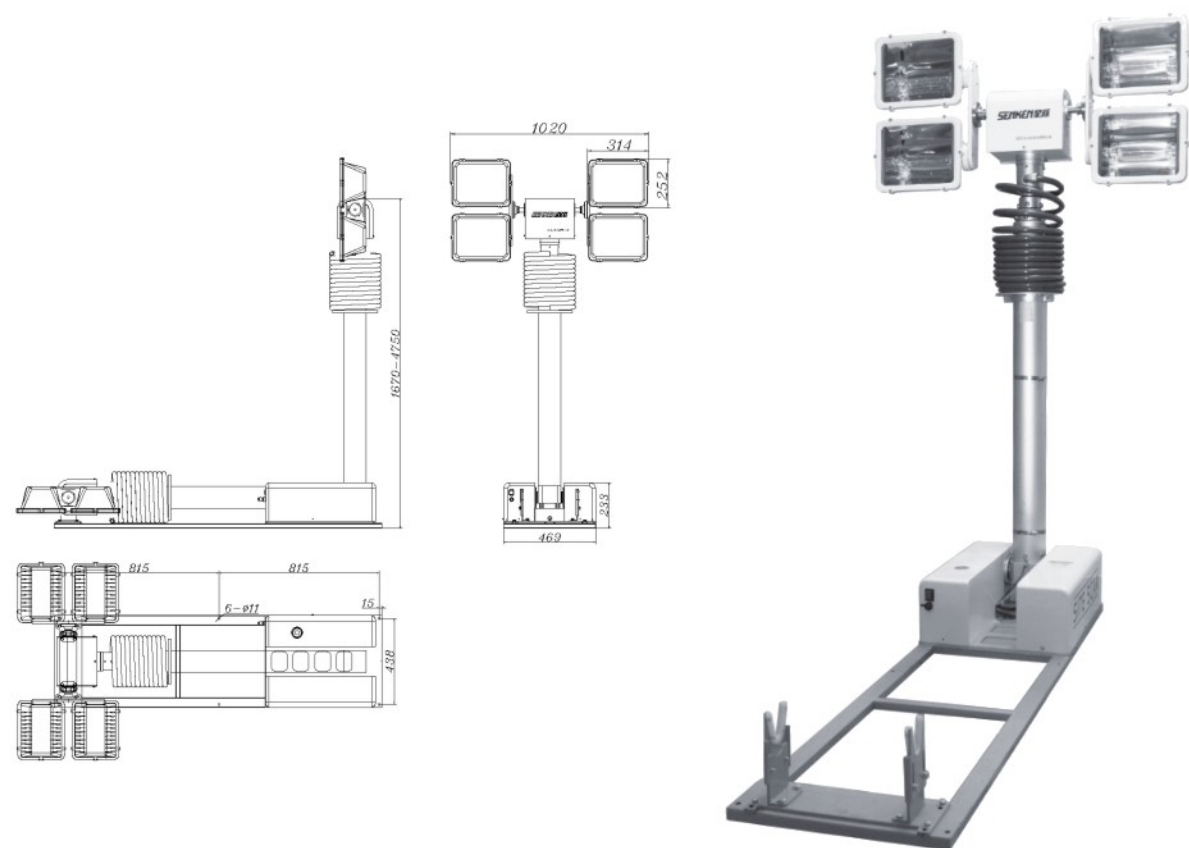
CFV182150



Part number	System working voltage (V)	Lamp working voltage (V)	Light source	Lamp working current (A)	Horizontal rotary angle	Vertical rotary angle	Tube luminous flux (Lm)	Weight (Kg)	The horizontal rotary radius (mm)
CFV182150	DC12/24	DC12/24	LED	50	380°	330°	22800	50	500

## Roof-Mounted Lighting Equipment-4.7m Series

This site scan is fairly suitable for large and heavy vehicles, such as fire engine, directional vehicle etc. It's another choice for professional mast type light. This device can be lifted to the highly height, it could be to 4.7m, it's height add to the vehicles' height could be above 7.5m after the device installed on the vehicle's roof. Thus it can be applied for professional car modification manufacturers, such as the fire engine with 7.5m mast, etc. Besides, the installation of this device is very simple, only need to fix and install the power line. It will reduce the tedious work greatly, which is to install the professional vehicle lighting equipment. Also it will save the install space of the mast in the car, air bump, etc. This device is the best choice for professional car modification manufacturers to modify the lighting vehicles.



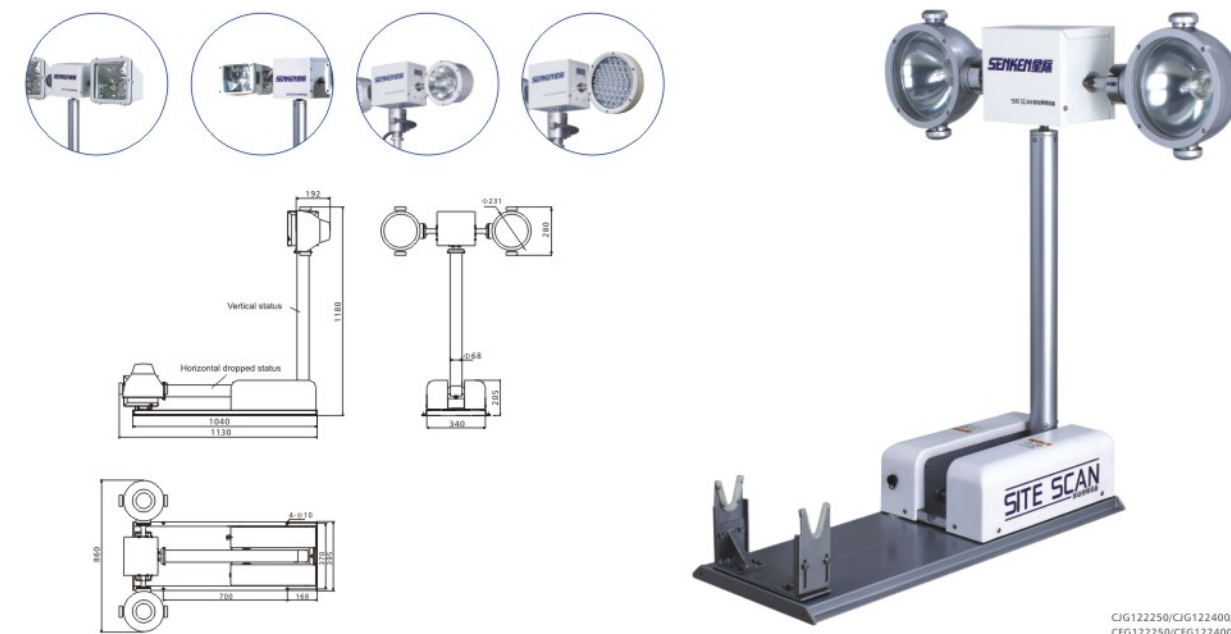
CFF14741000/CFF1474600

Part number	System working voltage (V)	Lamp working voltage (V)	Lamp working current (A)	Horizontal rotary angle	Vertical rotary angle	Tube luminous flux (Lm)	Light Sources	Weight (Kg)	The horizontal rotary radius (mm)
CFF14741000	DC12/24	AC220	20	380°	330°	80000	Halogen lamp	130	500
CFF1474600			20			360000	Gas lamp	140	

## Roof-Mounted Lighting Equipment SITE SCAN The Economical Version-1.2m Series

The Site scan 1.2m series is most simple version by fixing the rotating platform directly to the mast, with only the up-down function of from 0 degree to 90 degree to realize the completing searching position and lighting function, fairly suitable for installation on the roof of small and medium size vehicles like Cars, Pickup truck to deal with the small size accident scene and emergency lighting ect.

- ◎ The equipment lighting power can be selected from 140Watts to be 2000Watts. When a 35Watt, 70Watt or a 150Watt lamp is fitted, the lamp power can be supplied from the vehicle battery. Moreover, the end sides of metal halide lamp 70Watts and 150watts has the hot start function, which can solve a technical limitation that the metal halide lamp could not be lighted up immediately when power off suddenly.
- ◎ A camera and antenna equipment could be assembled according to customers requirement to increase the safety and improve the performance.



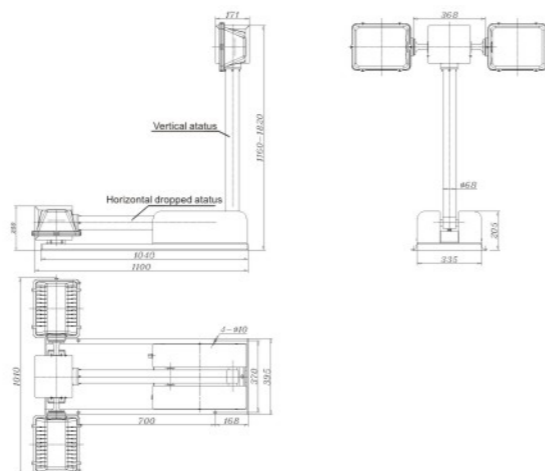
CJG122250/CJG122400/CJG122600  
CFG122250/CFG122400/CFG122600

Part number	System working voltage (V)	Lamp working voltage (V)	Light source	Lamp working current (A)	Horizontal rotary angle	Vertical rotary angle	Horizontal and vertical Rotary speed (r/min)	Lamp power (W)	Tube luminous flux (Lm)	Light Sources	Weight (Kg)	The horizontal rotary radius (mm)
CJR12235	DC12V /24V	DC12V	Floodlight	7	380°	330°	4	35X2	6400	Xenon lamp	40	450
CJG122250			Spotlight	3				250X2	40000	Metal halogen lamp	42	
CFG122250		Floodlight	3	250X2				40000				
CJG122400		Spotlight	5	400X2				72000				
CJG122400		Floodlight	5	400X2				72000				
CFF1221000		AC220V	Floodlight	10				1000X2	40000	Halogen light	42	
CJG122600			Spotlight	15				600X2	90000	Metal halogen lamp		
CFG122600			Floodlight	15				600X2	90000			
CFV122150			12V	Floodlight				26	150X2	22800	LED	
CJU122150				Spotlight				26	150X2	22800		

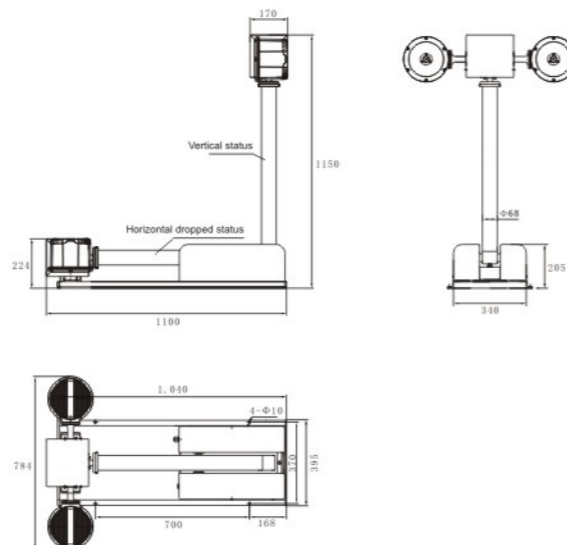




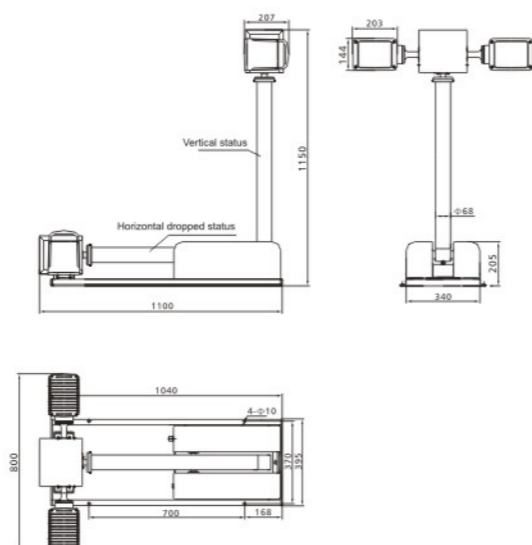
CFF1122400/CFF1122100



CJR122150/CJR12235



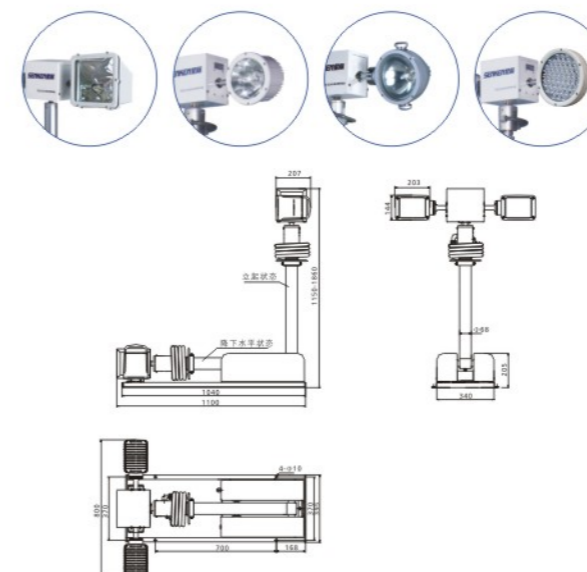
CFA122150



## Roof-Mounted Lighting Equipment SITE SCAN The Classical Version-1.8m Series

The Site scan 1.8m series can reach the height of 1.8m, suitable for installation on the roof of small and medium size vehicles like Cars, Pickuptrucks, Jeeps and so on. It contains three segment pneumatic masts which raise the lighting tower to be 1.8m to expand the lighting area.

- With the function of up, down, rise and drop, the equipment can lift from the roof level position to be the position of 90 degree and extend to be 1.8m.
- Through the rotation from all directions of 330 degree vertically and 380 degree horizontally, the equipment can complete a search orientation lighting.
- The vertical lifting power source is provided by the air bump which Senken has the patent, the equipment has the advantage of long work life and reliable performance.
- The equipment lighting power can be selected from 140Watts to be 2000Watts. When a 35Watt, 70Watt or a 150Watt lamp is fitted, the lamp power can be supplied from the vehicle battery. Moreover, the end sides of metal halide lamp 70Watts and 150watts has the hotstart function, which can solve a technical limitation that the metal halide lamp could not be lighted up immediately when power off suddenly.
- A camera and antenna equipment could be assembled according to customers requirement to increase safety and improve performance.

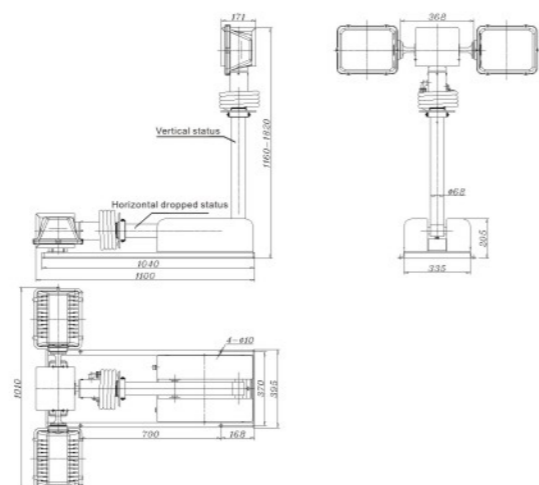


CFA182150/CFA18270

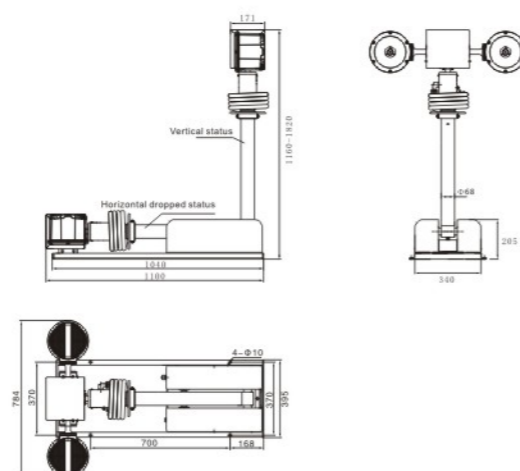
Part number	Lamp working voltage (V)	Lamp working voltage (V)	Light source	Lamp working current (A)	Horizontal rotary angle	Vertical rotary angle	Horizontal and vertical Rotary speed (r/mm)	Lamp power (W)	Tube luminous flux (Lm)	Light Sources	Weight (Kg)	The horizontal rotary radius (mm)
CJR18235	DC12V	AC220V	Spotlight	7	380°	330°	4	35X2	6400	Xenon lamp	45	450
CJG182250			Spotlight	3				250X2	40000	Metal halogen lamp	47	
CFG182250			Floodlight	3				250X2	40000			
CJG182400			Spotlight	5				400X2	72000			
CFG182400			Floodlight	5				400X2	72000			
CJG182600			Spotlight	10				600X2	90000			
CFF1182600			Floodlight	10				600X2	90000			
CFF1182400			Floodlight	5				400X2	72000	Halogen lamp	49	
CJG1821000			Spotlight	10				1000X2	40000			
CFG1821000			Floodlight	10				1000X2	110000	Metal halogen lamp	45	
CFV182150			Floodlight	26				150X2	22800			
CJU182150			Spotlight	26				150X2	22800	LED	42	



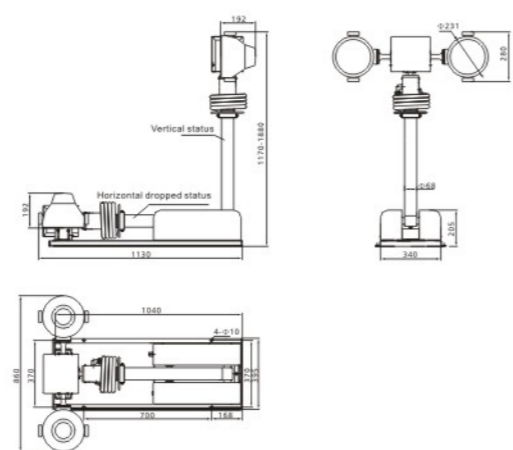
CFF1182400/CFF1182100



CJR18235/CJR182150



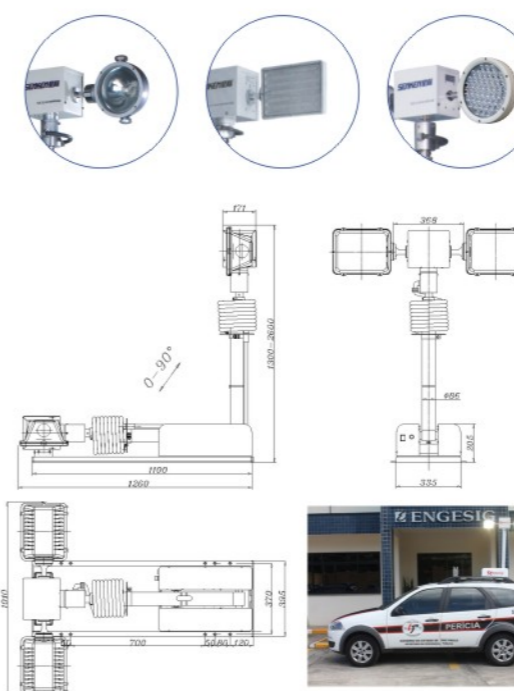
CJK182250/CJG182400/CJG182600/CJG1821000  
CFG182250/CFG182400/CFG182600/CFG1821000



## Roof-Mounted Lighting Equipment SITE SCAN The Advanced Version-2.5m Series

The Site scan 2.5m series contains four segment mast which can raise the lighting tower to be 2.5m to realize a larger lighting area, making it perfect for the vehicles like commanding, lighting, rescue and fire..

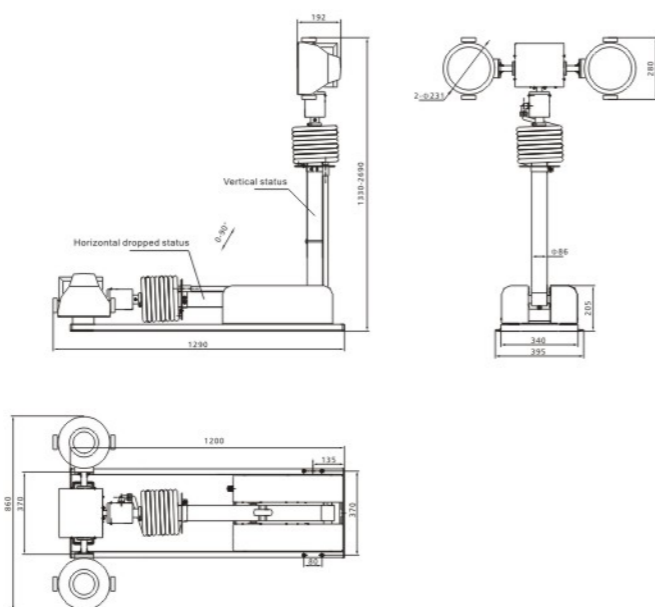
- With the same function of 1.8m series, the equipment also can be increased the number of lamp heads to achieve the large area lighting in upper air.
- Capable of combining floodlight with spotlight; can illuminate a large area within a short distance also focus spotlight at long alleyway.
- A camera and antenna equipment could be assembled according to customers requirement to increase safety and improve performance.



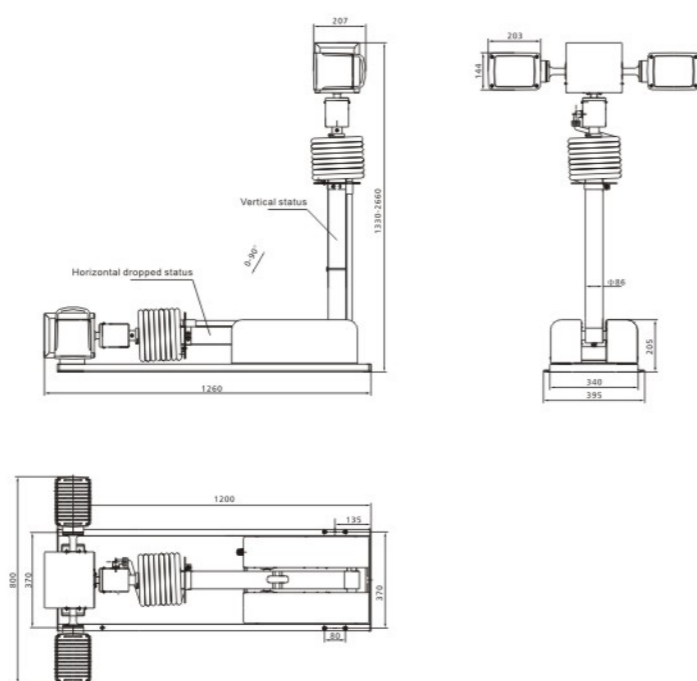
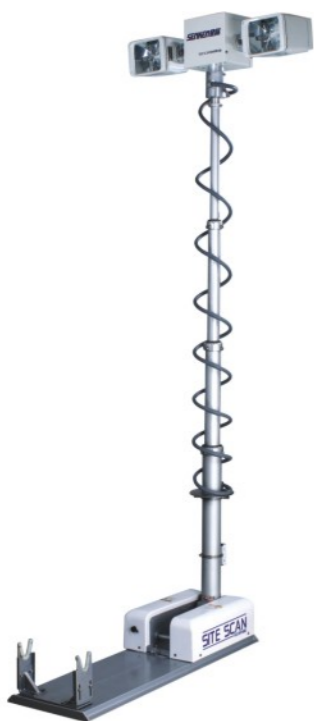
CFF1252400/CFF12521000

Part number	System working voltage (V)	Lamp working voltage (V)	Light source	Lamp working current (A)	Horizontal alrotary angle	Vertical rotary angle	Horizontal and vertical Rotary speed (r/mm)	Lamp power (W)	Tube luminous flux (Lm)	Light Sources	Weight (Kg)	The horizontal rotary radius (mm)
CFV252150	DC12V	AC220V	Floodlight	28	380°	330°	4	150X2	22000	LED	50	450
CJU252150			Spotlight	28				50				
CJG252150			Spotlight	3				Metal halogen lamp	52			
CJG252400			Spotlight	5					52			
CFG252400			Floodlight	5					52			
CJG252600			Spotlight	10					52			
CFG252600			Floodlight	10					52			
CFF1252400			Floodlight	5					55			
CFF12421000			Floodlight	10				Halogen lamp	51			
CJG2521000			Spotlight	15					Metal halogen lamp	51		
CFG2521000			Floodlight	15				1000X2		110000	51	





CJG252250/CJG252400/CJG252600/CJG2521000  
CFG252250/CFG252400/CFG252600/CFG2521000



CFA252150

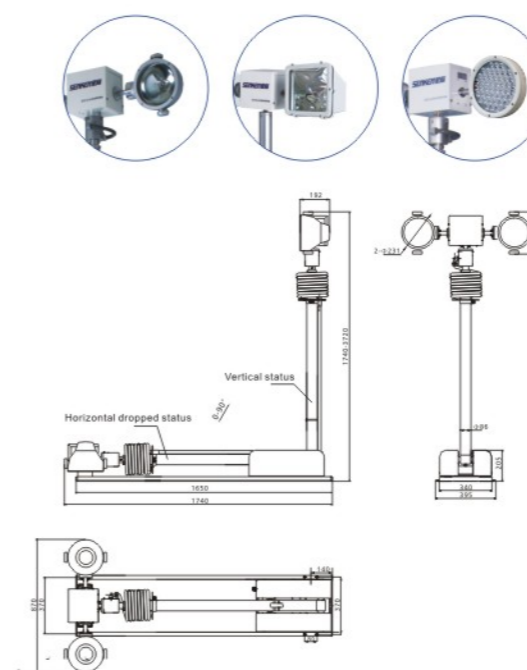
## Roof-Mounted Lighting Equipment SITE SCAN The Advanced Version-3.5m Series

The 3.5m series site scan can be raised up to 3.5m and can be applied to communication vehicles, directorial vehicles, lighting vehicles, breakdown lorries, fire engines, etc. The four segments of pneumatic poles make the site scan reach 3.5m so that it can illuminate a larger area.

3.5 m series site scan has the same function with 1.8m series site scan. The users could add the lighting heads to increase the lighting area. The users also could adopt the floodlight and spotlight together to increase the lighting area and focus the ray to light longer.

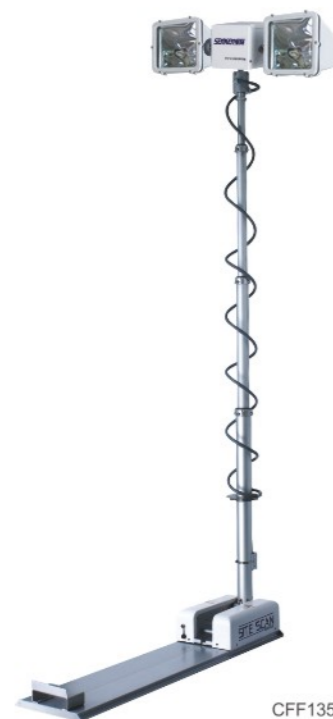
Like the 1.8m series site scan, 3.5m series site scan also could be assembled a vidicon bracket at the top of the middle table-board and between the two lighting heads. The users could assemble the vidicon. If the users need the vidicon function, we will assemble the vidicon's wires in advance. The vertical locating angle of the vidicon is 180 degree. And the horizontal locating angle of the vidicon is 360 degree.

Technical parameter:

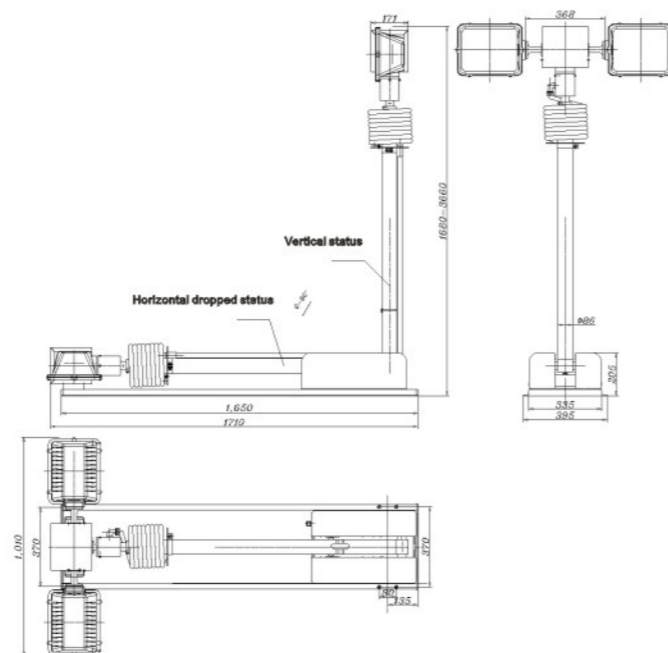


CJG352250/CJG352400/CJG352600  
CFG352250/CFG352400/CFG352600

Part number	System working voltage (V)	Lights working voltage (V)	Light source	Lights working current (A)	The horizontal revolving angle	The vertical revolving angle	The horizontal and vertical revolving speed	The power of the lights (W)	The tube's luminous flux (Lm)	Light Sources	Weight	The horizontal rotary radius (mm)
CJG352250	DC12V	AC220V	Spotlight	3	380°	330°	4	250X2	40000	Metal halogen lamp	53	410
CFG352250			Floodlight	3				250X2	40000			
CJG352400			Spotlight	5				400X2	72000			
CFG352400			Floodlight	5				400X2	72000			
CJG352600			Spotlight	10				600X2	90000			
CFG352600			Floodlight	10				600X2	90000			
CFF352400			Floodlight	5				400X2	72000	Halogen lamp	59	
CFF3521000			Floodlight	10				1000X2	40000			
CJG3521000			Spotlight	15				1000X2	110000			
CFG3521000			Floodlight	15				1000X2	110000			



CFF13521000/CFF1352400



Mounted Camera Bracket  
Roof-Mounted Lighting Equipment



This site scan can be installed with camera on the camera bracket of rotary platform to meet the demands of video function. It could be customized. We will preassemble the camera bracket, video cables and control line on the device before it leave the factory.

Remark:

1. This camera bracket is optional, it can be installed on various vehicle-mounted equipment.
2. This device is with video function. The controller could be selected, which has zoom and transmission function.
3. The load weight of this camera bracket is 5kg.

Adopt 485 Communication Protocol  
Multi-function Control Handle



This handle can control the rotary speed of platform, zoom and variable speed of camera, up-down and switch of the lights. You should tell us about your requirement for this function when placing the order. We will preassemble it on the device.

- Remark: 1. This handle is option, it can be installed on various vehicle-mounted equipment.
2. We can adopt 485 protocol and connect the computer with device to reach the control function without connecting this handle.
    - 3.485 protocol. It's adopted Pelco-d protocol.
  4. We can use computer software for controlling if we don't use this handle.

## Vehicle-Mounted Lighting Equipment SITE SCAN The Professional Version-SG Series

Combining SG telescopic mast and lighting towers, the professional vehicle-mounted lighting equipment can realize the close quarters' large area luminous, mixed lighting function for the long distance's strong lighting and the close quarters' floodlight. It is applicable for all kinds of special large vehicles, such as the communication commanding vehicles, lighting purpose vehicles, rescue vehicles and fire rescue vehicles ect.

- Pneumatic mast can raise the lighting tower to be the height of 3.5m to 15m. The lighting range is increased significantly.
- Lighting options are various. The power demand of the equipment can reach to 4000W for maximum area coverage.
- Big power rotating platform, the platform loading ability is above 45kg, can rotate 360 degree horizontally and 330 degree vertically.
- A camera and antenna equipment could be assembled to increase the safety and improve the performance.



Telescopic mast



Big power rotary platform



Control box



Light head



Wire controller



Wireless controller



Inflatable air pump

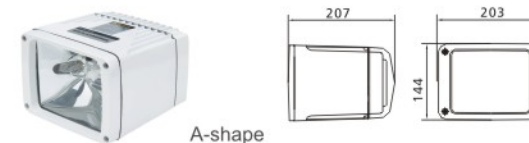




Part number	Power (W)	Number of lamps	Extended height (m)	Lamp version	Light source	Luminous flux (lm)
SG45-4150V	600	4	4.5	Version V	LED	45600
SG45-4150R	600	4		Version R	Metal Halogen Lamp	44000
SG45-2250F1	500	2		Version F1	Metal Halogen Lamp	40000
SG45-2400F1	800	2		Version F1	Metal Halogen Lamp	72000
SG45-21000F1	2000	2		Version F1	Quartz Halogen Lamp	40000
SG45-2250G	500	2		Version G	Metal Halogen Lamp	40000
SG45-2400G	800	2		Version G	Metal Halogen Lamp	80000
SG45-2600G	1200	2		Version G	Metal Halogen Lamp	90000
SG45-21000G	2000	2		Version G	Metal Halogen Lamp	110000
SG45-41000G	4000	4		Version G	Metal Halogen Lamp	220000
SG55-4150V	600	4	5.5	Version V	LED	45600
SG55-4150R	600	4		Version R	Metal Halogen Lamp	44000
SG55-2250F1	500	2		Version F1	Metal Halogen Lamp	40000
SG55-2400F1	800	2		Version F1	Metal Halogen Lamp	72000
SG55-21000F1	2000	2		Version F1	Quartz Halogen Lamp	40000
SG55-2250G	500	2		Version G	Metal Halogen Lamp	40000
SG55-2400G	800	2		Version G	Metal Halogen Lamp	72000
SG55-2600G	1200	2		Version G	Metal Halogen Lamp	90000
SG55-21000G	2000	2		Version G	Metal Halogen Lamp	110000
SG55-41000G	4000	4		Version G	Metal Halogen Lamp	220000
SG65-4150V	600	4	6.5	Version V	LED	45600
SG65-4150R	600	4		Version R	Metal Halogen Lamp	44000
SG65-2250F1	500	2		Version F1	Metal Halogen Lamp	40000
SG65-2400F1	800	2		Version F1	Metal Halogen Lamp	72000
SG65-21000F1	2000	2		Version F1	Quartz Halogen Lamp	40000
SG65-2250G	500	2		Version G	Metal Halogen Lamp	40000
SG65-2400G	800	2		Version G	Metal Halogen Lamp	72000
SG65-2600G	1200	2		Version G	Metal Halogen Lamp	90000
SG65-21000G	2000	2		Version G	Metal Halogen Lamp	110000
SG65-41000G	4000	4		Version G	Metal Halogen Lamp	220000
SG75-4150V	600	4	7.5	Version V	LED	45600
SG75-4150R	600	4		Version R	Metal Halogen Lamp	44000
SG75-2250F1	500	2		Version F1	Metal Halogen Lamp	40000
SG75-2400F1	800	2		Version F1	Metal Halogen Lamp	72000
SG75-21000F1	2000	2		Version F1	Quartz Halogen Lamp	40000
SG75-2250G	500	2		Version G	Metal Halogen Lamp	40000
SG75-2400G	800	2		Version G	Metal Halogen Lamp	72000
SG75-2600G	1200	2		Version G	Metal Halogen Lamp	90000
SG75-21000G	2000	2		Version G	Metal Halogen Lamp	110000
SG75-4250F1	1000	4		Version F1	Metal Halogen Lamp	80000

Part number	Power (W)	Number of lamps	Extended height (m)	Lamp version	Light source	Luminous flux (lm)	
SG75-4400F1	1600	4	7.5	Version F1	Metal Halogen Lamp	144000	
SG75-41000F1	4000	4		Version F1	Quartz Halogen Lamp	80000	
SG75-4250G	1000	4		Version G	Metal Halogen Lamp	80000	
SG75-4400G	1600	4		Version G	Metal Halogen Lamp	144000	
SG75-4600G	2400	4		Version G	Metal Halogen Lamp	180000	
SG75-41000G	4000	4		Version G	Metal Halogen Lamp	220000	
SG85-4150V	600	4		8.5	Version V	LED	45600
SG85-4150R	600	4			Version R	Metal Halogen Lamp	44000
SG85-2250F1	500	2			Version F1	Metal Halogen Lamp	40000
SG85-2400F1	800	2			Version F1	Metal Halogen Lamp	72000
SG85-21000F1	2000	2	Version F1		Quartz Halogen Lamp	40000	
SG85-2250G	500	2	Version G		Metal Halogen Lamp	40000	
SG85-2400G	800	2	Version G		Metal Halogen Lamp	72000	
SG85-2600G	1200	2	Version G		Metal Halogen Lamp	90000	
SG85-21000G	2000	2	Version G		Metal Halogen Lamp	110000	
SG85-4250F1	1000	4	Version F1		Metal Halogen Lamp	80000	
SG85-4400F1	1600	4	8.5	Version F1	Metal Halogen Lamp	144000	
SG85-41000F1	4000	4		Version F1	Quartz Halogen Lamp	80000	
SG100-4250G	1000	4		Version G	Metal Halogen Lamp	80000	
SG100-4400G	1600	4		Version G	Metal Halogen Lamp	144000	
SG100-4600G	2400	4		Version G	Metal Halogen Lamp	180000	
SG100-41000G	4000	4		Version G	Metal Halogen Lamp	220000	
SG100-4150V	600	4		10	Version V	LED	45600
SG100-4150R	600	4			Version R	Metal Halogen Lamp	44000
SG100-2250F1	500	2			Version F1	Metal Halogen Lamp	40000
SG100-2400F1	800	2			Version F1	Metal Halogen Lamp	72000
SG100-21000F1	2000	2	Version F1		Quartz Halogen Lamp	40000	
SG100-2250G	500	2	Version G		Metal Halogen Lamp	40000	
SG100-2400G	800	2	Version G		Metal Halogen Lamp	72000	
SG100-2600G	1200	2	Version G		Metal Halogen Lamp	90000	
SG100-21000G	2000	2	Version G		Metal Halogen Lamp	110000	
SG100-4250F1	1000	4	Version F1		Metal Halogen Lamp	80000	
SG100-4400F1	1600	4	10	Version F1	Metal Halogen Lamp	144000	
SG100-41000F1	4000	4		Version F1	Quartz Halogen Lamp	80000	
SG100-4250G	1000	4		Version G	Metal Halogen Lamp	80000	
SG100-4400G	1600	4		Version G	Metal Halogen Lamp	144000	
SG100-41000G	4000	4		Version G	Metal Halogen Lamp	220000	

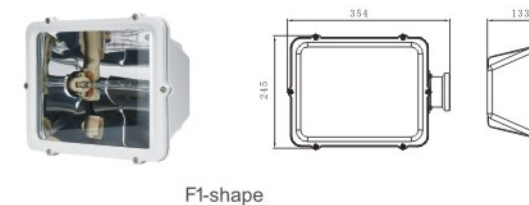
### Lamp Head



#### A-shaped Lamp Head

Model	Light Source Type	Working Voltage	Working Current	Luminous Flux	Service Time	Lamp power
DFA150	Metal Halogen Lamp	DC12V	13A	11000Lm	6000h	150W

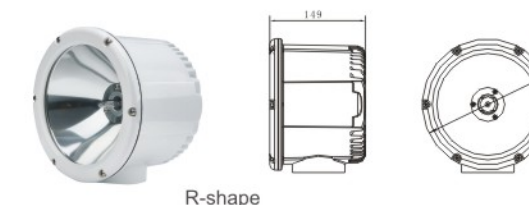
Unique appearance, aluminum material, specular reflector, hot embossing steel glass, anti high temperature and high light transmission.



#### F1-shaped Lamp Head

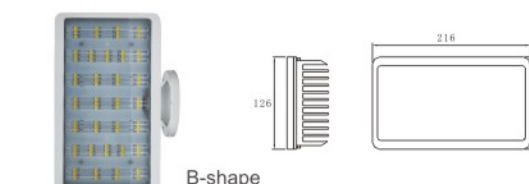
Model	Light Source Type	Working Voltage	Working Current	Luminous Flux	Service Time
DFF1600	Gaseous Discharge Lamp	AC220V	4A	9000Lm	6000h
DFF1250	Metal Halogen Lamp	AC220V	2A	2000Lm	6000h
DFF1400	Metal Halogen Lamp	AC220V	3A	3600Lm	6000h
DFF11000	Quartz halogen Lamp	AC220V	5A	2000Lm	1500h

Heavy power Lamp Head, used in professional and reinforced car mobile lighting equipment.



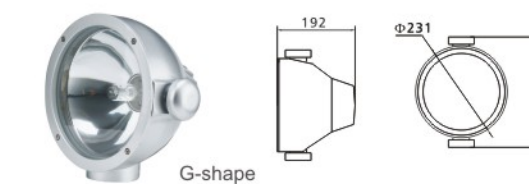
#### R-shaped Lamp head

Model	Light Source Type	Working Voltage	Working Current	Luminous Flux	Service Time
DJR150	Metal Halogen Lamp	DC12V	13A	11000Lm	6000h
DJR35	Xenon Lamp	DC12V	3.5A	3200Lm	3200h



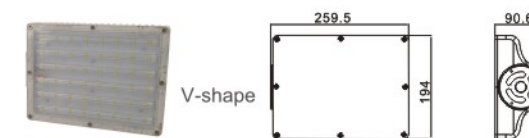
#### B-shaped Lamp head

Model	Light Source Type	Working Voltage	Working Current	Luminous Flux	Service Time
DJB90	LED	DC12V	6A	6000Lm	10000h



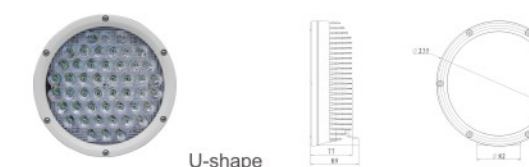
#### G-shaped Lamp Head

Model	Light Source Type	Working Voltage	Working Current	Luminous Flux	Service Time
DJG250 DFG250	Metal Halogen Lamp	AC220V	1.5A	20000Lm	6000h
DJG400 DFG400	Metal Halogen Lamp	AC220V	2.5A	36000Lm	6000h
DJG600 DFG600	Metal Halogen Lamp	AC220V	5A	45000Lm	6000h
DJG1000 DFG1000	Metal Halogen Lamp	AC220V	7.5A	55000Lm	6000h



#### V-shaped Lamp head

Model	Light Source Type	Lame type	Working Voltage	Working Current	Luminous Flux	Service Time
DFV150	LED	Flood	DC12V	8A	11400Lm	20000h



#### U-shaped Lamp head

Model	Light Source Type	Lame type	Working Voltage	Working Current	Luminous Flux	Service Time
DJU150	LED	Spot	DC12V	8A	11400Lm	20000h





Bracket for mast height 1.8m



Bracket for mast height 3.5m



Bracket for mast height 2.5m



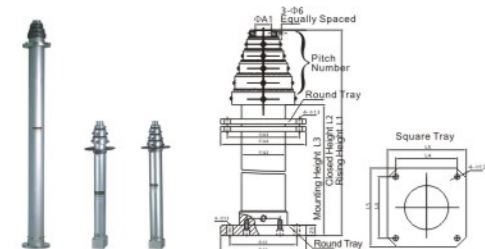
Bracket for mast height below 1.8m

### Telescopic Mast

SG series telescopic mast provides rising and falling mast device for professional vehicle mobile lighting equipment. It will fix the rising and falling mast on the roof or around the body, and will vertically give rise to height altitude for Lighting equipment, camera equipment, wireless equipment etc, to achieve customer's intention.

SG series telescopic mast can choose 3.5m-12m height freely according to the different requirements.

SG series telescopic mast is fixed through drilling on the roof of the car or mounting around the car, and the joint fixed of tray or bracket. Choosing it should be in accordance with the installation of different models to the roof height to definite the installation height of the rising and falling mast. Making the mast installed on the roof is the shortest closed height to ensure the maximum height of the body and the reduction of traffic in the drag.



SG series telescopic mast, which is installed in Internal body, is equipped with a professional system control box, such as generator, the trunk of car. Control box controls rising and falling of the mast, videlicet, turning on/off of the rotating Remote Control Positioner and lights. Usually the control box, has the mast pipe interface, connecting rotating Remote Control Positioner or the interface lamp head power supply and operating handle of the control system, needs to be provided DC12V or AC 220V power by outside.

Model	Pitch No	Rising Height L1 mm	Closing Height L2 mm	Mounting Height "L3" mm	Top mounting hole A1 mm	Max diameter A2 mm	Load Weight Kg	Round tray mounting holes A3 mm	OD mm	Square tray mounting diameter L4 mm	Chassis diameter L5 mm
SG35-1	3	3500	1635	1520	85	133	120	200	230		
SG35-2	3		2010	1913	34	68	50				
SG45-1	4	4500	1670	1520	65	133	100				
SG45-2	4		2170	2020	65	133	100				
SG55-1	4	5500	1785	1630	65	133	100				
SG55-2	4		2225	2070	65	133	100				
SG65-1	5	6500	1770	1575	45	133	80	200	230		
SG65-2	5		1950	1750	45	133	80				
SG65-3	4	7500	2235	2080	65	133	100				
SG75-1	6		1790	1540	45	160	80				
SG75-2	6	7500	1845	1595	45	160	80				
SG75-3	5		1990	1780	65	160	100				
SG75-4	5	8500	2120	1915	65	160	100				
SG85-1	6		2015	1770	45	160	80				
SG85-2	6	8500	2315	2070	45	160	80				
SG85-3	5		2300	2090	65	160	100				
SG100-1	6	10000	2290	2040	45	160	80			185	230
SG100-2	6		2300	2040	65	190	100				
SG100-3	7	10000	2400	2100	45	190	80			185	230
SG100-4	7		2400	2090	65	210	100				
SG120-1	7	12000	2395	2095	45	190	80			185	230
SG120-2	7		2400	2050	65	210	100				
SG120-3	7	12000	2500	2050	45	190	80			185	230
SG120-4	7		2500	2190	65	210	100				

## XK892 Multi-function mobile lighting system

Mainly used in railway construction, electricity, power supply, traffic segment, flood prevention command, natural disasters rescue, criminal scene, traffic accident scene and other types of crime scene, traffic accident investigation, highway checkpoints, public security emergency reserves and other large-scale construction operations, accident repair, disaster relief and other on-site for mobile lighting.

- Small size, light weight. It is towable, portable and wearable.
- Integrated lamp (light) design. Both left and right side have one lamp. Can be folded and put on the surface.
- Lamps adopt high luminous efficiency LED, with spotlight / floodlight mode. High lighting, wide coverage, long service life.
- Use 4 paths telescopic rod as a lifting adjustment method. The maximum height is 1.8 meters. Each lamp is able to do 360-degree vertical and horizontal rotation, providing multi-angle lighting needs.
- Applies high quality materials, compact structure, stable quality, reliable performance, can work in harsh environments and climatic conditions.
- Equips with high-capacity, high-performance lithium battery, low self-discharge rate.
- After a full charge, the flood and spot light work 8 hours at the same time. The battery has anti-battery over-discharge and short-circuit protection, Safe and reliable.
- Has variety of functions, it contains camera, video, signal warning, recording, amplification and player functions to meet the needs of different users.
- Compatibility, equips a standard USB charging interface for mobile phones and other digital products.
- The light can be charged by AC220V charger directly to meet the lighting needs for a long time.





Battery rated voltage	V	DC25.9	
Battery rated capacity	Ah	22	
light source (LED)	rated power	W	2X30
	Average life	h	100000
Illumination	50 meters at the center of illumination	lx	>3
	5 meters at the center of illumination	lx	>200
Irradiation angle Degree	horizontal direction	Degree	≥360
	Vertical direction	Degree	≥180
Lighting method		Spotlight / Floodlight	
Continuous lighting time	Floodlight lighting time	h	≥12
	Spotlight lighting time	h	≥22
	Spotlight/Floodlight lighting time	h	≥8
Charger input voltage	V	AC220V	
Camera Pixel	M	800	
Camera / Picture Format	/	MP4/JPEG	
Camera storage capacity	G	32	
Warning light color	/	Red (yellow / blue optional)	
Power amplifier board (speaker) power	W	30	
Battery life	cycle	About 500 times	
Charging time	h	≤6	
Dimensions (L * W * H)	Shrinking state	mm	620
	Rise state	mm	1845
Weight	Kg	16	
Use the ambient temperature	℃	-20~40	
Protection level	Waterproof (light head)	/	IP65
	Waterproof (Box body)	/	IP54

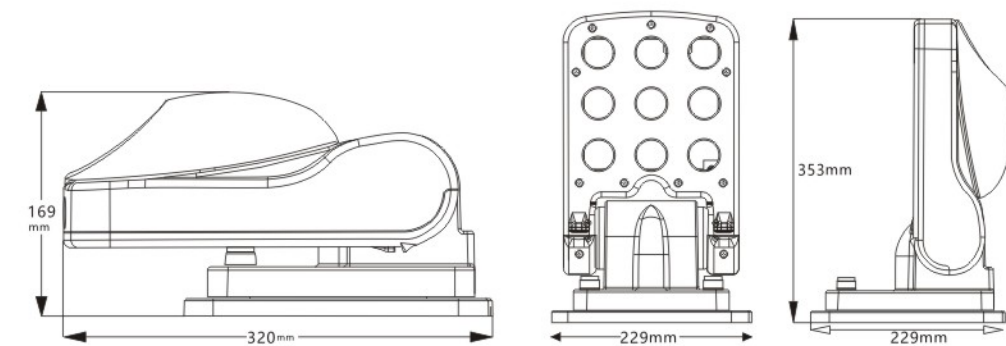


## YTLVI05 Roof Mounted Searchlight

### Features:

- Improved and simplified version by adding infinite horizontal rotation function.
- LED light source with high concentrated reflector in order to achieve strong light.
- Add glare mode.
- Capable of fitting two cameras and infrared LED to perform vehicle monitoring.
- Conducting ring achieve infinite rotating angle 360° in horizontal direction and 135° in vertical direction.
- Use normal controller TK03, or controller of SJH130L, optional 485 bus control mode.
- Self-locking motor ensure bite close when folded.

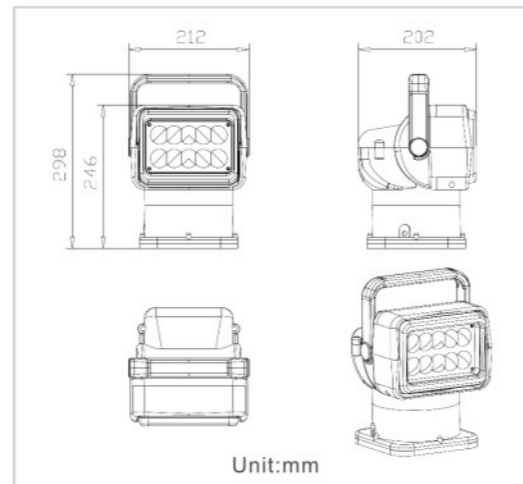
### Legend:



Voltage	DC12V±10%/DC24V
Power	35W
Light source	Vertical rotation > 135°, Horizontal rotation > 360°
Luminous Flux	3240lm
Remote-controlled Distance	> 30m
Protection Leve	IP65
Working Temperature	-40℃+55℃
Dimensions	320mmx229mmx169mm (reset mode)

## SJH130L LED Searchlight

- Upgrade search light with LED light source; High impact ABS plastic housing,
- PC glass cover for LED headlight; magnet for base fix;
- High light output, the illumination lumen reaches 8000Lx in 5meters;
- Spot beam design



Model	SJH130L
Operating Voltage	DC12V,24V
Remote control distance	≥30m
Operating Ambient Temperature	-20~55°
Waterproof	Ip65
Rotating angel	>360° in horizontal direction and >40° in vertical direction
Illumination value in 5 meters	8000lx
High output spotlight,50% light intensity emitting angle	up and down ±1.2°, left and right±1.5°
Output Power	30W, use OSRAM LED as light source
Net Weight	3.3KGS

- Specially designed controller can operate total 9 search lights together;
- With digital screen to display the current control light number;
- Low standby current less than 1uA;
- Strong anti-interference ability, can be used normally, under the condition of with interference sources, such as DC24V/12V motor, air pump, 150W converter

Model	SJH130L
Operating Voltage	DC3V
Remote control distance	≥30m
Operating Ambient Temperature	-20~55°
Waterproof	Ip65
Overall Size	136x46x19mm
Modulation Mod	FSK
Battery	with two 7 # 1.5 V batteries



## QUALIFICATION CERTIFICATE

