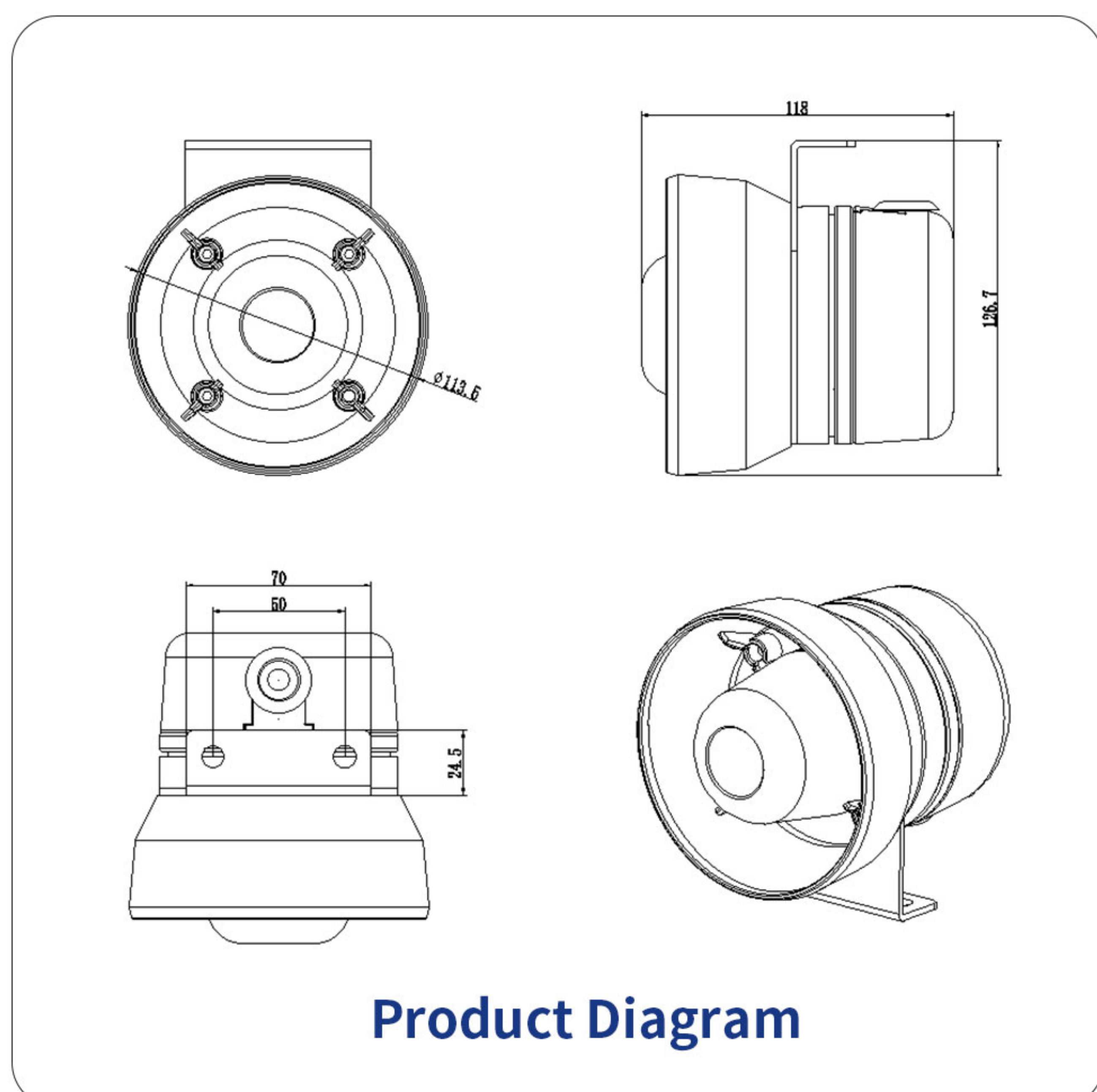


## Integrated Speaker YD50-27



Product Diagram

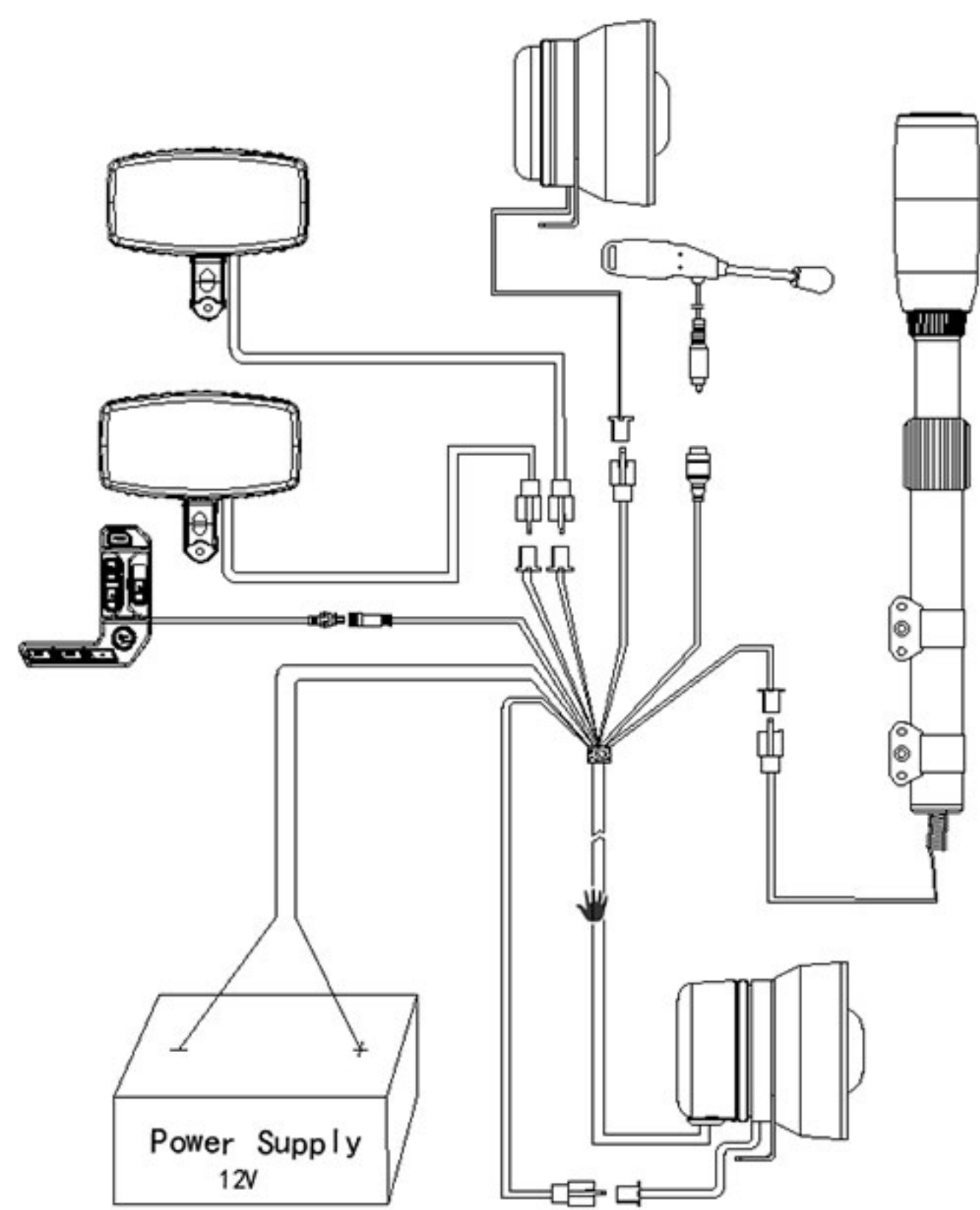
### FEATURES

- ◎ Integrated Design: Features integrated dual siren drivers and triple warning light drivers, easy for installation.
- ◎ Durable Housing: The casing is made of plastic alloy, lightweight and impact-resistant.
- ◎ High-Quality Materials: Utilizes high-temperature resistant NdFeB magnetic steel and an internal magnetic structure, ensuring excellent heat dissipation and long lifespan.
- ◎ Versatile Switching Options: Compatible with both traditional mechanical switches and 485 communication switches, allowing for adaptation to different switching mechanisms.





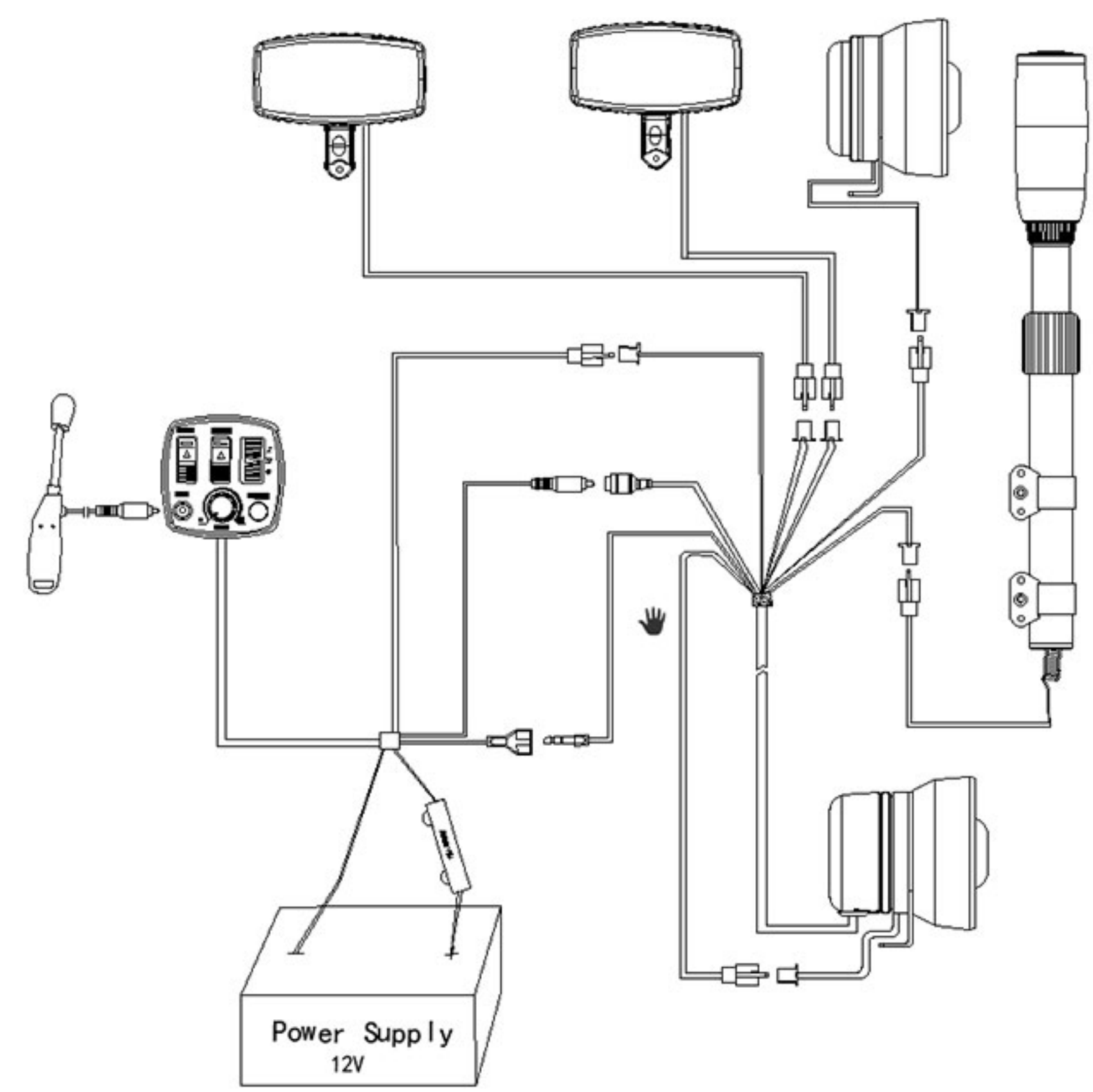
**485 Waterproof Switch**



**Option one**



**Mechanical Switch**



**Option two**

## SPECIFICATION

Part Number	YD50-27	Frequency Response Range	200-5000HZ
Rated Power	50W	Harmonic Distortion	≤5%
Rated Impedance	6Ω/8Ω/16Ω	Sound Pressure Level	≥118dB (two units)
Feed Voltage	17V / 28V	Protection Level	IP66

- ◎ All components should be securely fastened, and the device driving the speaker should match the speaker parameters.
- ◎ Installation should be in a well-ventilated area, away from heat sources, and conducive to heat dissipation.
- ◎ Regularly inspect the speaker's horn mouth and horn to ensure they are not obstructed by external objects.
- ◎ Do not use high-pressure water to wash the speaker directly to avoid water damage.
- ◎ When connecting wires, avoid feeding power directly from the battery. Connect the power source after the key switch.
- ◎ Please keep this user manual properly for reference during maintenance or disassembly.